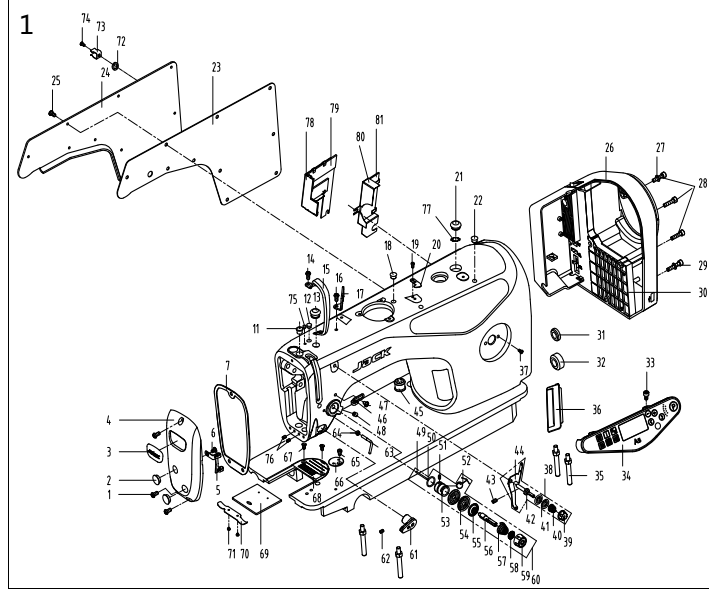


A5 系列 A5 Series

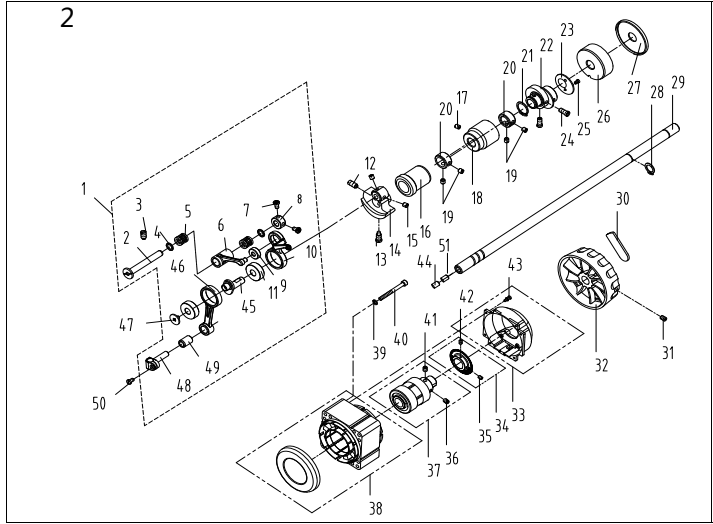


1. 机壳、外装组件/Machine Frame & Miscellaneous Cover Components

序号 NO.	公司件号 Part NO.	名称 PartName	零件描述 Description	数量 Number
1	101S11001	后盖板螺钉SM3/16*28 L=9	Screw SM3/16*28 L=9	3
2	10122003	面板调节孔塞	Rubber plug	2
3	13837002	商标牌	Head card	1
4	303534	面板(喷漆)	Face plate asm	1
5	13813005	左线钩	Thread guide left	1
6	101S11007	右线钩螺钉SM11/64*40 L=6	Screw SM11/64*40 L=6	1
7	14122002	面板垫	Face plate gasket	1
11	10122013	针杆上衬套孔塞	Rubber plug	1
12	10122005	挑线连杆销螺孔塞	Rubber plug	1
13	10122004	针杆曲柄螺孔塞	Rubber plug	1
14	101S11004	挑线杆护罩螺钉SM3/16*28 L=7	Screw SM3/16*28 L=7	1
15	13812018	挑线杆护罩	Thread take-up lever cover	1
16	101S11004	挑线杆护罩螺钉SM3/16*28 L=7	Screw SM3/16*28 L=7	1
17	13S12004	三孔线钩	3-hole thread guide	1
18	10122005	挑线杆销螺孔塞	Rubber plug	1
19	114S11015	割线刀螺钉SM9/64*40 L=6	Screw SM9/64*40 L=6	2
20	11419001	割线刀	Knife	2
21	20722007	油塞	Rubber plug	1
22	13822001	操作屏孔塞	Rubber plug	2
23	13822007	后盖板垫	Side plate gasket	1
24	302S92	后盖板(喷漆)	Side plate	1
25	101S11001	后盖板螺钉SM3/16*28 L=9	Screw SM3/16*28 L=9	11
26	1381103000	一体机电控罩壳组件(能麦克斯)	Electronic control box	1
27	W01009	GB/T97.1-1985垫圈 5	Washer 5	2
28	114S13001	直驱电机螺钉M5*20	Screw M5*20	3
29	114S30001	螺栓(内六角)M5*25	Screw M5*25	1
30	14133002	一体机电控罩壳(能麦克斯)	Electronic control box	1
31	10122006	送料调节器孔塞	Rubber plug	1
32	10122007	下轴工艺孔塞	Rubber plug	1
33	138S05001	操作面板螺钉	Screw	2
34	14133001	一体机电控罩壳组件(能麦克斯)	Control panel,powermax	1
35	140S12001	底座支柱	Machine head stud	2
36	13822002	装饰条	Decorative article	1
37	101S11004	螺钉	Screw	2
38	138130040	小夹线器组件	Thread tension asm.	1
39	138S16019	小夹线器螺母	Thread tension nut	1
40	11227001	小夹线器弹簧	Thread tension spring	1
41	11212004	小夹线器	Thread tension disk	2
42	13810008	小夹线器螺母	Thread tension post	2
43	138S08006	小夹线器固定螺钉SM3/16*28 L=7	Screw SM3/16*28 L=7	1
44	13812066	过线板	Thread tension guide plate	1
45	14122001	橡皮塞(四孔)	Rubber plug	1
46	10113004	右线钩	Thread guide right	1
47	101S11007	右线钩螺钉SM11/64*40 L=6	Screw SM11/64*40 L=6	1
48	101S15010	右线钩螺钉SM15/64*28 L=10.5	Screw SM15/64*28 L=10.5	1
49	10126002	松线钉	Tension release pin	1
50	10122014	挑线调节器O型圈	Rubber ring	1
51	101S15005	实线架固定螺钉SM9/64*40 L=5.5	Screw SM9/64*40 L=5.5	1
52	10127001	挑线簧	Thread take-up spring	1
53	10103011	挑线簧调节座	Thread tension base	1
54	10112005	实线板	Thread tension disk	2
55	10112006	松线板	Disk stopper	1
56	101S30002	实线螺钉	Thread tension post	1
57	10127002	实线弹簧	Thread tension spring A	1
58	10112007	实线制动板	Thread disk rotating stopper	1
59	138S16013	实线螺母	Thread tension nut	1
60	1381300500	实线器组件	Thread tension asm.	1
61	1383002700	电子实线器组件	Nest less e-device	1
62	S10008	凹端固定螺钉M4X6	Screw M4X6	1
63	11413011	固定式线钩	Thread guide	1
64	401S16001	螺母SM9/64*40	Nut SM9/64*40	1
65	138S11002	单边固定螺钉SM11/64*40 L=5.5	Screw SM11/64*40 L=5.5	1
66	13812019	单边底座	Ruler stop seat	1
67	104S17002	针板螺钉(进口)SM11/64*40	Screw SM11/64*40	2
68	11414006	定宽专用针板(扩大缝制范围)	Needle plate	1
69	11315001	针板(兄弟款)	Needle plate	1
70	10115002	推板	Slide plate	1
71	10127009	推板簧	Slide plate spring	1
72	101S11019	推板簧螺钉SM3/32*56 L=2	Screw SM3/32*56 L=2	2
73	10128016	螺栓橡胶垫圈(薄)	Washer	1
74	13812007	卡簧	Buckle	1
75	504021	螺钉	Screw	1
76	13822001	操作屏孔塞	Rubber plug	1
77	S10007	GB/T80凹端固定螺钉M4*4(发黑)	Screw	2
78	21012018	油封垫	Oil sealing washer	1
79	14112008	防油板	Oil preventing plate	1
80	14123002	防油板油棉	Oil cotton	1
81	14112004	防油罩	Oil preventing plate	1
82	14123001	防油罩油棉	Oil cotton	1

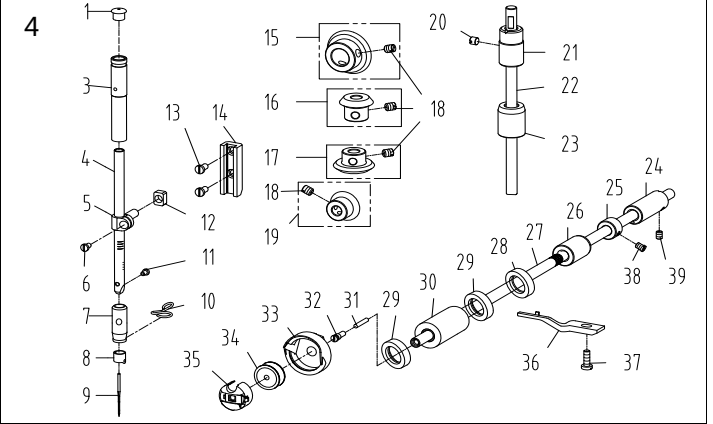
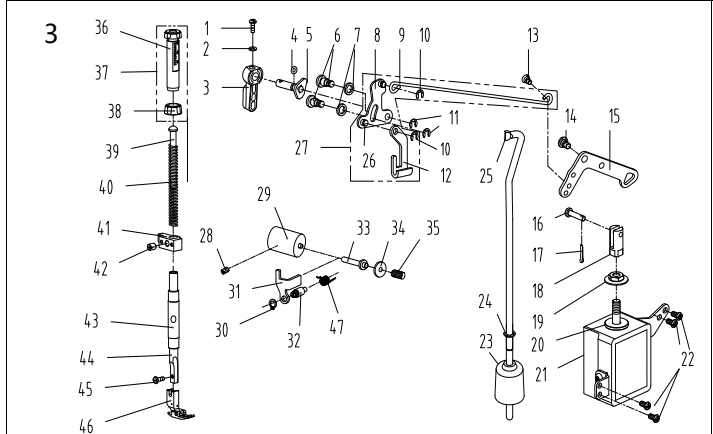
零件手册

Parts Manual



2. 上轴挑线分组件/Main Shaft & Thread Take-up Components

序号 NO.	公司件号 Part NO.	名称 PartName	零件描述 Description	数量 Number
1	1413800100	挑线组件	Thread take-up asm.	1
2	11426001	JK-8990-0338挑线连杆	Thread take-up asm.	1
3	101S15010	JK-5550-0615左销螺钉	Thread take-up crank shaft	1
4	11411005	JK-8990-0340轴承支撑圈	Screw	2
5	B08003	GB/T801-1986滚针轴承K7x10x10	Bearing support	2
6	11438004	JK-8990-0337-03挑线杆连杆	Bearing	1
7	114S11008	JK-8990-0360轴螺钉	Thread take-up lever crand rod	2
8	11408002	JK-8990-0339轴螺钉	Screw	1
9	B01013	GB/T 276-1994轴承605	Thrust collar asm.	1
10	11438003	JK-8990-0337-02挑线杆	Thread take-up lever	1
11	B01014	GB/T 276-1994轴承608	Bearing 608	2
12	101S15004	针杆曲柄固定螺钉 SM9/32*28 L=16	Screw SM9/32*28 L=16	1
13	101S11003	针杆曲柄定位螺钉SM9/32*28 L=16	Screw SM9/32*28 L=16	1
14	14104004	针杆曲柄	Needle bar crank	1
15	101S15002	送料轴固定螺钉SM11/64*40 L=6	Screw SM11/64*40 L=6	2
16	1410300200	上轴前轴套组件	Main shaft bushing front	1
17	101S15006	实线架螺钉SM15/64*28 L=7	Screw SM15/64*28 L=7	1
18	12203002	主轴中轴套	Main shaft bushing mid	1
19	101S15007	压杆导架螺钉SM1/4*40 L=8	Screw SM1/4*40 L=8	2
20	10108001	上轴挡圈	Main shaft thrust collar	1
21	H03002	挡圈 20	Snap ring 20	1
22	11310014	送料偏心轮	Feed eccentric cam	1
23	10112017	送料偏心轮盖板	Cover plate	1
24	101S11013	送料偏心轮螺钉SM1/4*40 L=13	Screw SM1/4*40 L=13	2
25	113S11003	护片螺钉 SM9/64*40 L=5	Screw SM9/64*40 L=5	2
26	10103025	上轴后轴套	The rear axle sleeve	1
27	10122105	上轴后套油封	Oil seal	1
28	H03001	GB/T894.1-1986挡圈 15	Snap ring 15	1
29	14102060	上轴	Main shaft	1
30	13811021	手轮胶条	Handwheel lable	1
31	S10009	螺钉	Screw	2
32	302830	手轮(喷漆)	Handwheel	1
33	1383300700	电机罩壳组件(配能麦克斯)	Motor cover asm.powermax	1
34	1383300900	电机壳螺柱组件(配能麦克斯)	Motor grating sensor asm	1
35	GB/T77-2000	Screw M3*4	Screw M3*4	1
36	GB/T77-2000	Screw M6*6	Screw M6*6	1
37	1383300400	电机转子总成	Motor rotor	1
38	13833003	电机定子总成(配能麦克斯)	Motor stator,powermax	1
39	GB/T93-1987	弹垫 5	Spring washer 5	4
40	GB/T70.1-2000	内六角圆柱头螺钉M5*50 8.8级	Screw M5*50	4
41	GB/T78-2000	内六角锥端固定螺钉M6*8	Screw M6*8	1
42	GB/T78-2000	内六角锥端固定螺钉M3*4	Screw M3*4	1
43	GB/T1907.4.8	十字槽小盘头螺钉组合件M3*8	Screw	6
44	10122012	上轴孔塞	Rubber plug	1
45	11402007	JK-8990-0337-004挑线杆轴	Needle bar crand	1
46	11438002	JK-8990-0337-01针杆连杆	needle bar connecting rod	1
47	114S30004	JK-8990-0337-05挑线曲柄左螺钉	Screw (left twist)	1
48	10138002	JK-8990-0330针杆连接杆	Needle rod holder	1
49	12203004	JK-8988-0301-2针杆连杆铜套	needle-bar rod copper sleeve	1
50	101S11005	JK-5550-0304螺钉	Screw	1
51	14123003	上轴轴套	Rubber plug	1



4. 针杆、竖轴、下轴部件/Needle bar,Upright Shaft & Hook Driving Shaft Componer

序号 NO.	公司件号 Part NO.	名称 PartName	零件描述 Description	数量 Number
1	10122013	针杆上衬套孔塞	Rubber plug	1
3	14103005	针杆上衬套	Needle bar bushing upper	1
4	11402034	针杆(DLC处理)	Needle bar	1
5	14104007	针杆连接柱(DLC处理)	Needle bar connecting rod	1
6	101S11005	螺钉 SM9/64*40 L=6	Screw SM9/64*40 L=6	1
7	14103010	针杆下套	Needle bar bushing lower	1
8	10113002	针杆线钩	Needle bar thread guide	1
9	10117001	机针 (14#)	Needle	1
10	10413001	针杆下衬套线钩	Lower bushing thread guide	1
11	104S11006	支针螺钉(进口) SM1/8*44 L=4.5	Screw SM1/8*44 L=4.5	1
12	10109001	针杆连接柱滑块	Slide block	1
13	101S11008	滑块导轨螺钉SM11/64*40 L=8	Screw SM11/64*40 L=8	2
14	14109001	针杆顶头滑块导轨	Needle bar guide	1
15	10425004	上轴伞齿轮	Upper shaft bevel gear	1
16	10425003	实轴上伞齿轮	Upper small bevel gear asm	1
17	10425002	实轴下伞齿轮	lower large bevel gear asm	1
18	101S15014	齿轮螺钉SM1/4*40 L=7	Screw SM1/4*40 L=7	8
19	10425001	钩齿驱动轴	Hook drive shaft bevel gear	1
20	10425001	一字开槽紧定螺钉SM15/64*28 L=4.7	Screw SM15/64*28 L=4.7	1
21	10425001	实轴上轴套	Upright shaft bushing upper	1
22	10102007	实轴	Upright shaft	1
23	10403013	实轴下轴套	Upright shaft bushing lower	1
24	10403019	下轴后轴套	Hook driving shaft bushing back	1
25	10108002	下轴挡圈	Hook driving shaft snap ring	1
26	14003004	下轴中套	Lower shaft middle bushing	1
27	11304003	下轴	Hook driving shaft	1
28	11S22001	油封组件12	oil seal 12	1
29	1142201600	油封组件18	oil seal 18	2
30	14103004	下轴前轴套组件	Hook driving shaft bushing front	1
31	10123009	下轴润滑油	Oil wick	1
32	101S30005	下轴螺钉螺柱	set screw	1
33	11418003	广源中厚料旋梭(扩大缝制范围)	Hook asm (Hirose)	1
34	11418007	精品旋梭(国产)	Hook asm (China)	1
35	11418002	德源有尾厚料旋梭(方德源)	Hook asm (China Desheng)	1
36	11418004	广源厚料旋梭(有尾)	Hook asm (Hirose)	1
37	10118003	梭心	Bobbin	1
38	11218504	梭壳	Bobbin case asm.	1
39	10112016	旋梭定位钩	Finger positioner	1
40	1161S1005	牙架曲柄螺钉 SM11/64*40 L=13	Screw SM11/64*40 L=13	1
41	101S11012	下轴挡圈螺钉 SM11/64*40 L=4.8	Screw SM11/64*40 L=4.8	2
42	11S14020	下轴后套螺钉SM11/64*40 L=6	Screw SM11/64*40 L=6	1

3. 压料、自动抬压脚分组件/Presser Bar , Auto Lifter Components

序号 NO.	公司件号 Part NO.	名称 PartName	零件描述 Description	数量 Number
1	101S11010	压脚扳手螺钉SM9/64*40 L=11	Screw SM9/64*40 L=11	1
2	10128002	压脚扳手螺钉垫圈	Washer	1
3	13811029	压脚扳手	Hand lifter	1
4	001004	O型圈	Rubber ring	1
5	1411000200	压脚扳手凸轮分部件	Hand lifter cam asm.	1
6	101S20001	前杆杆螺柱	Screw	2
7	10128016	螺栓橡胶垫圈(薄)	Washer	2
8	1011201100	抬压脚前杆杆分部件	Lift front lever component	1
9	1012013	抬压脚杆	Knee lifter pull rod	1
10	H05003	GB/T896-1986挡圈 5	Snap ring	2
11	11329020	挡圈 5	Snap ring	5
12	10112010	压脚升降板	Lifting plate	1
13	101S20004	抬压脚杆螺钉SM3/16*32	Hinge screw SM3/16*32	1
14	101S20003	后杆杆轴位螺钉SM15/64*28	Hinge screw SM15/64*28	1
15	11312034	抬压脚后杆杆	Knee lifter back lever	1
16	11326005	销子	Pin	1
17	P04001	开口销 GB/T91.2*14	Cotter pin	1
18	11326006	电磁铁接头	Solenoid connector	1
19	113S16004	法兰螺母M8	Flange nuts M8	1
20	11322008	电磁铁上垫片	washer	1
21	1383001200	抬压脚电磁铁组件	Solenoid asm.	1
22	101S11001	后盖板螺钉SM3/16*28 L=9	screw SM3/16*28 L=9	4
23	14022009	抬压脚杆密封帽	Seal cap	1
24	H03042	GB/T894.1-1986轴用弹性挡圈-A型5x0.6	Snap ring	1
25	14012015	抬压脚顶杆	Knee lifter connecting rod	1
26	14126006	前杆杆轴套	Pin	1
27	1411200300	抬压脚前杆杆组件	Knee lifter lever asm	1
28	138S08006	小夹线器固定螺钉SM3/16*28 L=7	Screw SM3/16*28 L=7	1
29	141300900	松线电磁铁组件	Solenoid	1
30	H03054	GB/T894.1-1986挡圈6	Snap ring 6	1
31	14101017	松线顶板	Wire release plate	1
32	14126002	松线顶板连接销	Pin	1
33	10126003	松线螺钉	Thread release supporting pin	1
34	10128001	松线螺钉垫片	washer	1
35	10127003	松线螺钉弹簧	Spring	1
36	13811027	调压螺钉	Press regulating screw	1
37	1381102700	调压螺钉组件	Presser regulating screw nut asm.	1
38	13811028	调压螺母	Press regulating nut	1