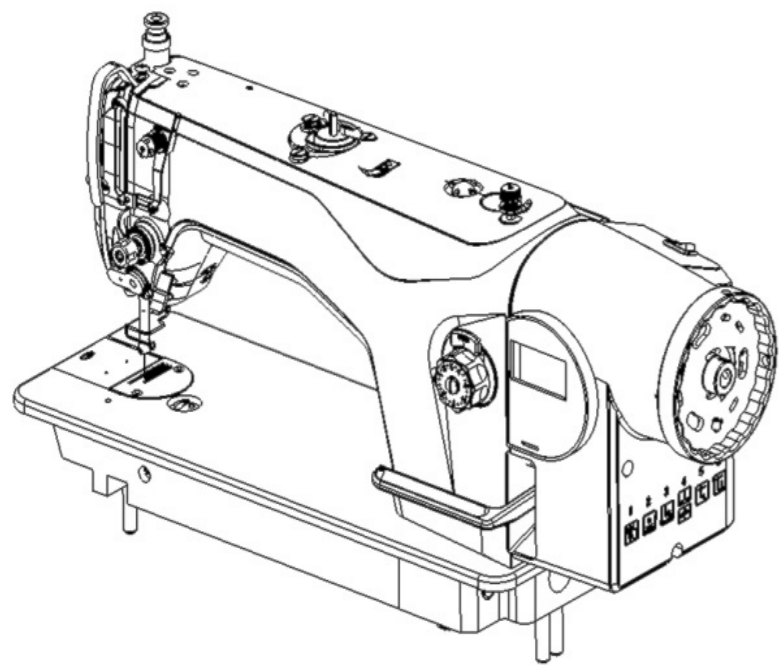
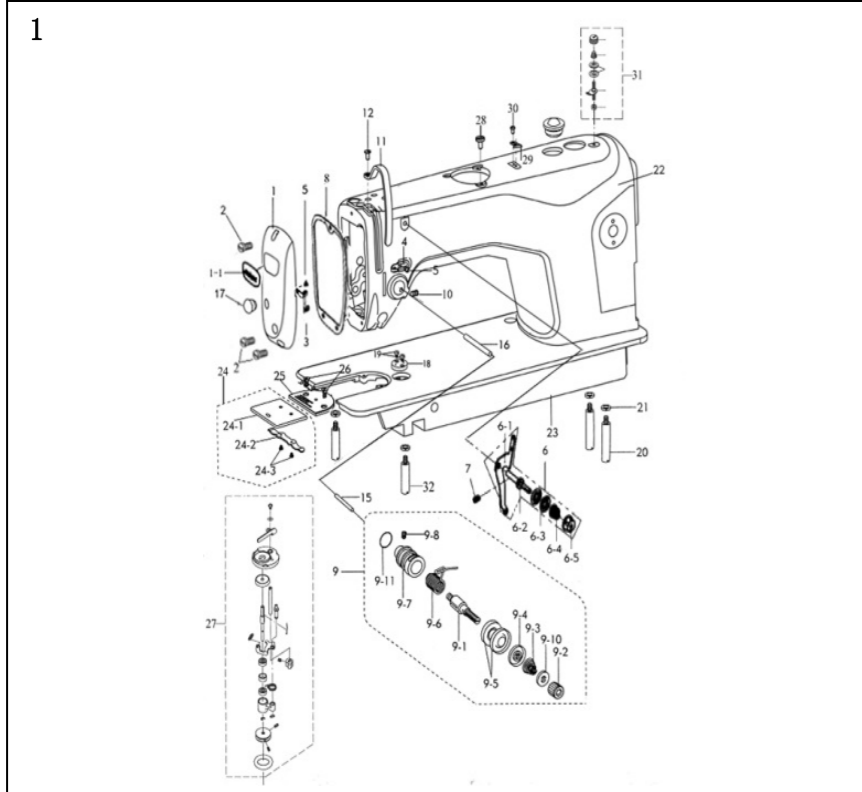


# 2001G零件手册 (Parts Manual)



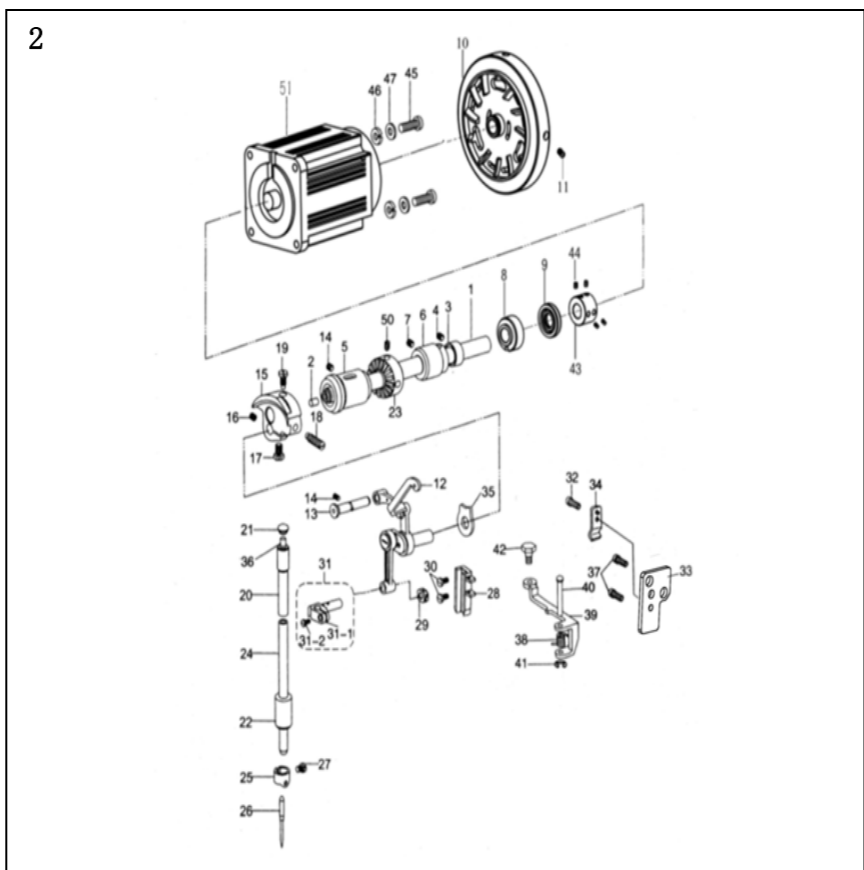
———电脑厚料平缝机系列产品 Heavy duty computerized lockstitch sewing machine



## 1. 机壳、外装分组件/Machine frame & miscellaneous cover components

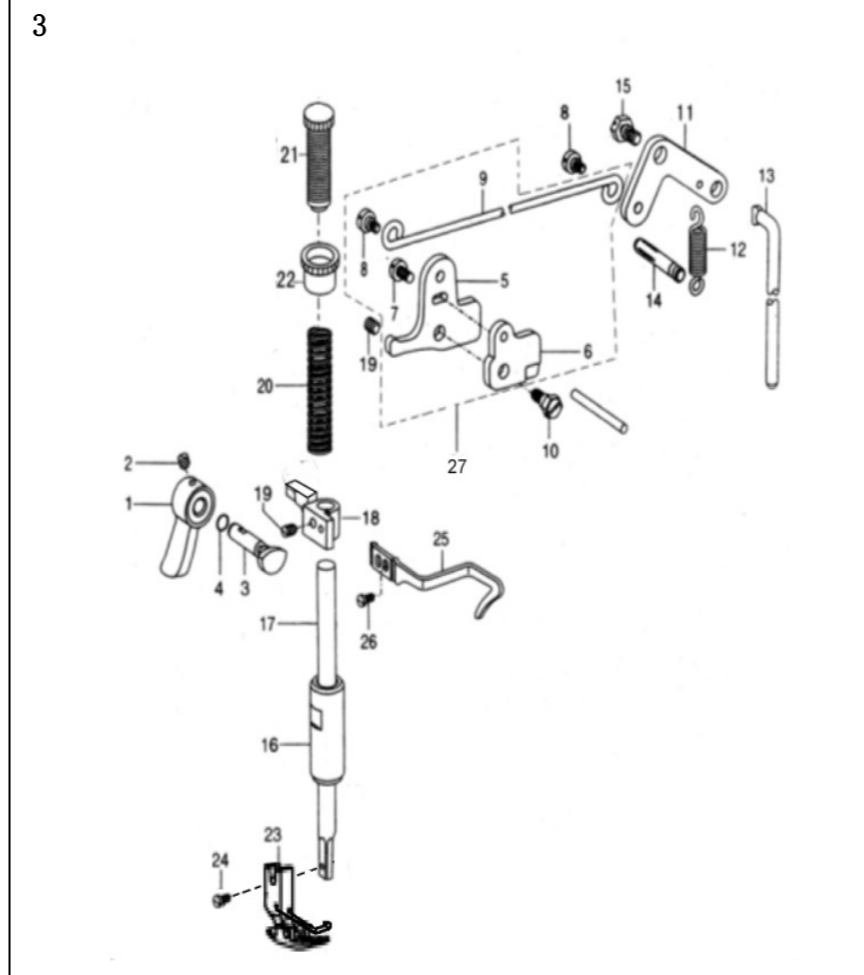
序号NO.	公司件号	Part NO.	名称 PartName	零件描述 Description	数量 Number
1	0112071		面框	Face plate arm	1
1-1	13617002		面框脚	Head card	1
2	13511001		面框螺钉	Screw	1
3	13613005		面框线号	low thread guide	1
4	13513009		线号	low thread guide	1
5	01511005		线号螺钉	Screw	2
6	136130040		小夹线组件	BURBIN THREAD TENSION ASM	1
6-1	13612006		小夹线过线架	BURBIN THREAD TENSION RID	1
6-2	13610008		小夹线螺钉	BURBIN THREAD TENSION RID	1
6-3	11212004		小夹线板	THREAD TENSION DISK	2
6-4	11227001		小夹线弹簧	CONNECTING ROD SPRING	1
6-5	13614019		小夹线螺母	NUT	1
7	13511001		小夹线固定螺钉	SCREW	1
8	01122114		面框垫	face plate gasket	1
9	1361300700		夹线器零件	Thread tension arm	1
9-1	13513002		夹线螺钉	Thread tension post	1
9-2	13614013		夹线螺母	Tension nut	1
9-3	13513002		夹线弹簧	Thread tension spring	1
9-4	13513004		限位板	Slit stopper	1
9-5	13513005		限位板	Thread tension disk	2
9-6	13513003		限位板	Takeup spring	1
9-7	13513006		夹线调节垫	Thread tension post base	1
9-8	01511005		夹线调节垫螺母	Screw	1

9-10	13513008		夹线螺母止动板	Tension disc stopper	1
9-11	001050		小螺母	Ring4.5x1.5	1
10	13511005		夹线调节固定螺钉	Screw	1
11	13612027		夹线杆防护罩	Thread take-up lever cover	1
12	20151016		夹线杆防护罩螺钉	Screw	1
15	13613004		松线钉	Thread release pin	1
16	13613002		松线钉	Thread release pin	1
17	13522001		橡皮塞 (Φ19)	Rubber plugΦ19	1
18	0112002		限位螺母	Roller stop nut	1
19	01511002		螺钉	Screw	2
20	13522003		底板螺钉 (尾座)	Bed screw stud(tail)	2
21	062004		弹簧垫圈	Spring washer	4
24-1	13510002		滑板	Slide plate	1
24-2	13512007		滑板簧	Slide plate spring	1
25	01511019		滑板螺钉	Screw	2
25	13615003		针板	Throat plate	1
26	01517002		针板螺钉	Screw	2
27	1143100100		绕线器组件	Burbin winder unit	1
28	11411005		绕线器零件固定螺钉	Rubber plugΦ18.5	3
29	11419001		切线刀	THREAD CUTTER	1
30	01511005		螺钉	SCREW	2
31	1361300600		绕线夹线器组件	BURBIN THREAD TENSION ASM	1
32	13522010		底板螺钉 (底座)	Bed screw stud(head)	2



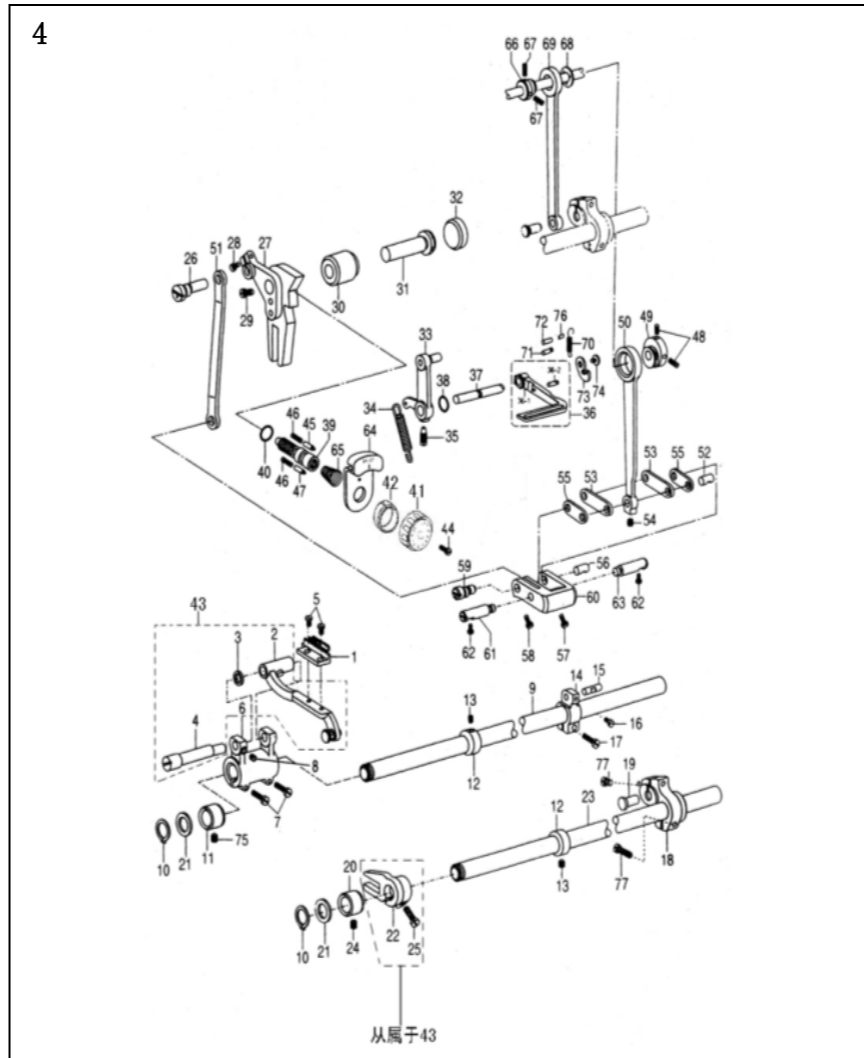
## 2. 上轴挑线分组件/Main shaft & thread take-up components

序号NO.	公司件号	Part NO.	名称 PartName	零件描述 Description	数量
1	13602010		上轴	Main shaft	1
2	01122012		上轴橡皮塞	Rubber plug	1
3	13500001		上轴套圈	Throat collar asm.	1
4	13511004		上轴前螺母	Screw	2
5	13603001		上轴前轴套	Main shaft bushing,front	1
6	13500002		上轴中轴套	Brushing, intermediate	1
7	13511006		上轴中螺母	Screw	1
8	13603017		上轴后套	Main shaft bushing,back	1
9	13522010		上轴后轴套密封组件	Main shaft	1
10	13630002		上轴螺母	Screw	2
11	130009		上轴轴套	Screw	1
12	13530003		挑线杆组件	Thread take-up arm	1
13	13502003		挑线杆衬套	Thread take-up crank shaft	1
14	13511009		挑线杆衬套螺钉	Screw	1
15	13504001		杆平衡	Counterweight	1
16	13511001		挑线杆螺母	Screw	1
17	01511007		挑线杆衬套定位螺钉	Screw	1
18	01511004		杆平衡螺母	Screw	1
19	13511002		杆平衡衬套定位螺钉	Screw	1
20	13500006		杆平衡衬套	Needle bar metal, upper	1
21	01122013		杆平衡衬套橡皮塞 (Φ8.5)	Cap	1
22	13603003		杆平衡衬套	Needle bar metal, lower	1
23	11430013		楔形轮	HEX-DRIVING-WHEEL	1
24	13602002		杆平衡	Needle bar	1
25	13513011		杆平衡过线环	Needle bar thread guide	1
26	13517001		杆平衡	Needle	1
27	01511006		杆平衡螺钉	Screw	1
28	13606001		杆平衡托	Needle bar trough	1
29	11406001		杆平衡头盖	Slide block	1
30	01511008		杆平衡头盖螺钉	Screw	2
31	01511008		杆平衡头盖螺母	Screw	1
31-1	01130002		杆平衡头盖螺母	Needle bar connection	1
31-2	01511005		杆平衡头盖螺钉	Screw	1
32	01511009		杆平衡头盖螺母	Screw	1
33	13612024		松线杆固定架	Screw	1
34	13612026		松线杆板	Rubber plate	1
35	13522003		垫片	Washer	2
36	13522001		杆平衡衬套橡皮塞	RII fits for needle bar	2
37	01141010		松线杆螺母固定架螺钉	Screw	1
38	13627002		松线杆簧	RETAINING RING	1
39	13612003		松线杆轴	Screw	1
40	13626001		松线杆轴	RETAINING RING	1
41	060024		杆平衡衬套	Screw	1
42	13612001		松线杆轴	Screw	1
43	13603018		松线杆轴	Screw	4
44	130007		松线杆轴	Screw	4
45	114513001		杆平衡螺母	Screw	4
46			杆平衡螺母	Screw	4
47			杆平衡螺母	Screw	4
50	113514002		松线杆轴	HEX-DRIVING-WHEEL, SCREW	2
51	1362300200		电机 (电机) (D)	Motor (Qilong) (D)	1



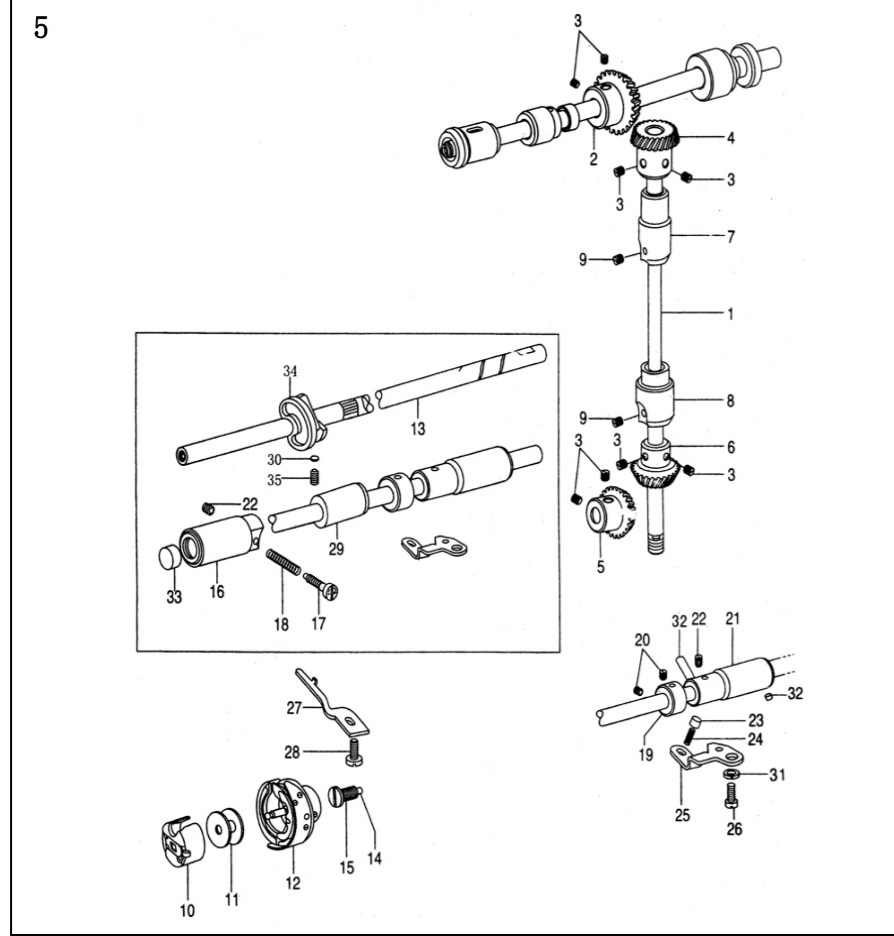
## 3. 压料分组件/Presser bar components

序号NO.	公司件号	Part NO.	名称 PartName	零件描述 Description	数量 Number
1	13511005		压脚架手	Presser bar lifter	1
2	13511007		压脚架手螺钉	Set screw	1
3	13510008		压脚架手衬套	Presser bar lifting cam	1
4	011009		压脚架手衬套轴套	O-ring	1
5	13512013		脚踏板升降杆 (左)	Row lifter lever (left)	1
6	13510005		松线凸轮	Tension releasing cam	1
7	13511026		脚踏板升降杆 (左) 螺钉	Row lifter lever (left) screw	1
8	13511027		轴套螺钉	Hinged screw	1
9	0112013		脚踏板升降杆	Row lifter rod	1
10	13511028		松线凸轮螺钉	Screw	1
11	13512015		脚踏板升降杆 (右)	Row lifter lever (right)	1
12	13527010		脚踏板升降杆 (右) 弹簧	Presser spring	1
13	13512016		脚踏板升降杆 (右) 衬套	Row lifter connecting rod	1
14	13526005		弹簧销	Pin for spring	1
15	13512002		脚踏板升降杆 (右) 螺钉	Row lifter lever (right) screw	1
16	13500013		压脚架轴套	Presser bar bushing	1
17	13502019		压脚架	Presser bar	1
18	13605003		压脚架导架	Presser bar lifting bracket	1
19	13511003		压脚架螺钉	Set screw	1
20	13527011		压脚架弹簧	Presser spring	1
21	13530004		轴套螺母	Lock nut	1
22	13511003		轴套螺母	Set screw	1
23	136400100		压脚架组件	Presser foot complete	1
24	01511009		压脚架螺钉	Screw	1
25	13513012		大线号螺钉	Upper thread guide	1
26	01511002		大线号螺钉	Screw	1
27	135120100		脚踏板升降杆 (右) 螺母	Row lifter lever (right) nut	1



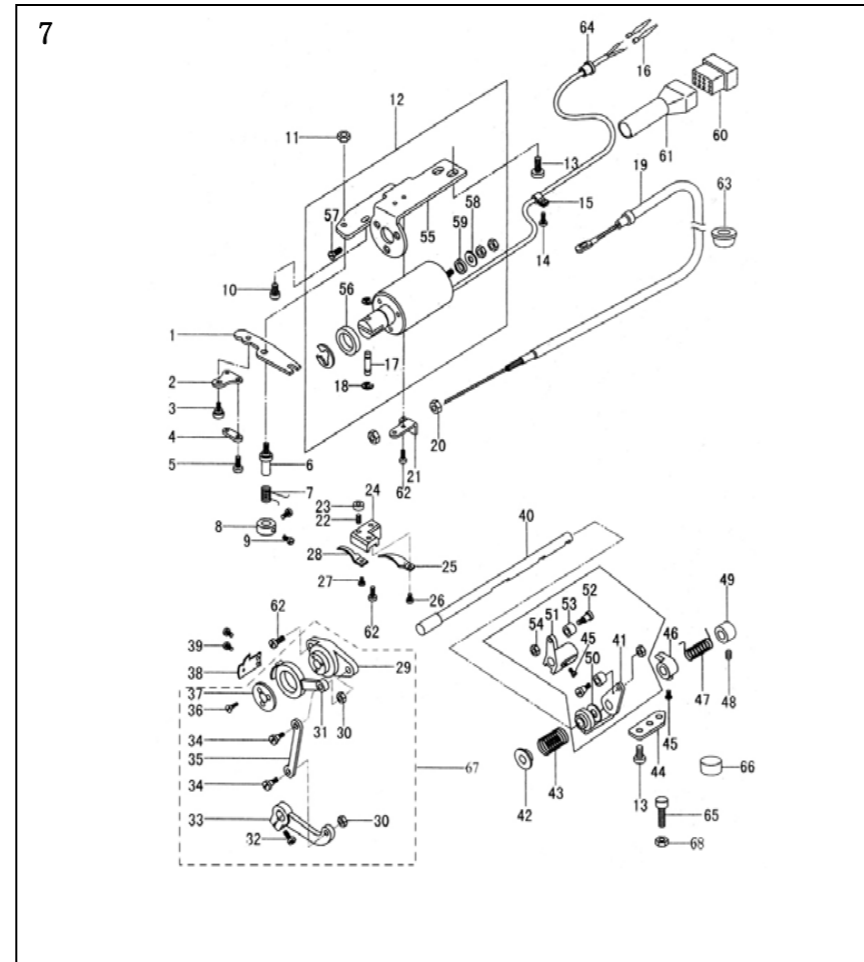
## 4. 送料分组件/Feed mechanism components

序号NO.	公司件号	Part NO.	名称 PartName	零件描述 Description	数量 Number
1	1361003		送布牙	Feed dog	1
2	135070000		牙架小组件	Feed bar arm	1
3	13528004		牙架垫圈	Washer	1
4	13502005		牙架轴衬套	Feed bar shaft	1
5	01511018		送布牙螺钉	Screw	2
6	13501003		牙架轴衬套	Feed rocker arm.	1
7	01511016		曲柄螺钉	Screw	2
8	01511008		牙架轴衬套螺钉	Screw	1
9	13602003		送布轴	Feed rocker shaft	1
10	013001		轴衬套弹性挡圈	Retaining ring	2
11	13603004		送布轴轴套	Bushing for feed rock shaft(right)	1
12	13500001		轴套, 送布轴套圈	Screw	2
13	13511004		螺母螺钉	Screw	4
14	13501004		送布轴轴套 (右)	Feed rocker shaft crank arm	1
15	13528001		曲柄连杆衬套	Walking foot pin	1
16	01511025		曲柄连杆衬套螺钉	Screw	1
17	01511019		送布轴轴套 (右) 螺钉	Screw	1
18	13501017		轴衬套轴套	Feed lifting rock shaft crank(right)	1
19	13502009		轴衬套轴套	Hinge pin	1
20	13603005		轴衬套轴套	Bushing for feed rock shaft(right)	1
21	13528006		轴套, 送料轴轴套垫圈	Washer	2
22	13505018		轴套	Feed forked connection	1
23	13602004		轴套	Feed lifting rock shaft	2
24	13511009		轴套轴套螺钉	Screw	2
25	01511020		轴套轴套螺钉	Screw	1
26	13510002		轴套轴套连接螺钉	Hinge pin	1
27	13509003		轴套轴套	Feed regulator	1
28	01511020		轴套轴套螺钉	Screw	1
29	13511009		轴套轴套螺钉	Screw	1
30	13501012		轴套轴套衬套	Feed regulator bushing	1
31	13502011		轴套轴套	Hinge pin for feed regulator	1
32	13622014		橡皮塞	Rubber plugΦ18.5	1
33	135010100		脚踏板轴套衬套	Slide block pin	1
34	13627008		脚踏板轴套衬套	Spring for feed crank	1
35	13511014		脚踏板轴套衬套	Screw	1
36	136010000		脚踏板轴套衬套	Reverse feed lever arm	1
36-1	13601005		脚踏板轴套衬套	Reverse feed lever	1
36-2	13626002		脚踏板轴套衬套	Hinge pin	1
37	13602005		脚踏板轴套衬套	Reverse feed lever shaft	1
38	010145		O型圈	O-ring	1
39	13633004		脚踏板轴套衬套	Feed regulator screw bar	1
40	010146		O型圈	O-ring	1
41	13511002		脚踏板轴套衬套	Dial	1
42					
43	135070000		牙架组件	Feed bar arm	1
44	01511022		脚踏板轴套衬套	Dial screw	1
45	13528002		脚踏板轴套衬套	Stopper pin	1
46	13527008		脚踏板轴套衬套	Spring for stopper pin	2
47	13528004		脚踏板轴套衬套	Dial stopper pin	1
48	13511007		送布凸轴螺钉	Screw	3
49	13510007		送布凸轴	Feed drive eccentric cam.	1
50	13505005		送布连杆	Locker shaft connecting rod	1
51	13505006		脚踏板轴套衬套	Feed regulator connecting rod	1
52	13502014		曲柄连杆衬套	Walking foot link	1
53	13505007		曲柄连杆衬套	Walking foot pin	2
54	01511025		送布连杆螺钉	Screw	1
55	13505008		曲柄连杆衬套	connecting link	2
56	13528003		曲柄连杆衬套	Walking foot link	1
57	01511012		轴套轴套螺钉	Screw	1
58	01511007		轴套轴套螺钉	Screw	1
59	13502015		轴套轴套衬套	Hinge pin	1
60	13501007		脚踏板轴套衬套	Walking foot adjusting link	1
61	13502016		脚踏板轴套衬套	Adjusting link fulcrum shaft	1
62	01511019		左右定位轴套	Screw	2
63	13502017		脚踏板轴套衬套	Adjusting link fulcrum shaft	1
64	13512011		脚踏板轴套衬套	Feed regulator key press	1
65	13527009		脚踏板轴套衬套	Dial spring for stopper pin	1
66	13510001		送布凸轴	Feed drive eccentric cam.	1
67	13511007		轴套轴套螺钉	Screw	3
68	13528002		凸轴轴套	Throat collar	1
69	13505001		轴套轴套	Connecting rod	1
70	13627003		脚踏板轴套衬套	Spring for feed crank	1
71	13626003		脚踏板轴套衬套	pin	1
72	13501001		脚踏板轴套衬套	pin	1
73	13612004		脚踏板轴套衬套	Reverse feed lever	1
74	13603001		脚踏板轴套衬套	Screw	1
75	01511012		送布轴轴套衬套	Screw	1
76	13521005		轴套	bushing	1
77	01511027		轴套轴套螺钉	Screw	1



### 6. 润滑组件 Oil lubrication components

序号NO.	公司件号 Part NO.	名称PartName	零件描述Description	数量Number
1-1	132299200	泵架组件	Oil pump asm.	1
1	13229901	泵架体	Oil pump	1
2	13229905	泵架大齿轮	Big gear for oil pump	1
3	13229906	泵架小齿轮	Small gear for oil pump	1
4	13511037	泵架调节螺钉	Screw	3
5	13512021	泵架盖	Cover for oil pump	1
6	13512022	泵架调节板	Adjusting plate for oil pump	1
7	1351202300	泵架滤网组件	Filter complete	1
8	10511019	泵架体螺钉	Screw	3
9	13502024	泵架体轴	Shaft for oil pump	1
10	102024	泵架体盖螺钉	Screw	2
11	1351202400	泵架固定板大组件	Oil wick wick plate complete	1
12	10511010	泵架固定板螺钉	Screw	2
13	1352100700	上轴油管组件	Oil pipe complete for upper shaft	1
14	12221001	回油管 Φ35×4	Oil return pipe	1
15	13223003	回油管接头	Oil exit	1
16	13512025	回油管夹	Pipe return pipe clamp	1
17	20511014	回油管螺钉	Screw	1
18	136210100	下轴油管组件	Oil pipe for asm shaft	1
18-1	13621001	下轴油管	Oil pipe for shaft	1
18-2	13630001	下轴油管接头	Oil pipe	1
19	10423004	蜡芯 5.290/2.5x290	Oil wick	25
20	13522001	橡胶垫圈 (Φ19)	Rubber plug(Φ19)	1
21	13522002	橡胶垫圈 (Φ11.8)	Rubber plug(Φ11.8)	4
22	13522003	橡胶垫圈 (Φ8.8)	Rubber plugΦ8.8	2
23	13522004	橡胶垫圈 (Φ27)	Rubber plugΦ27	1
24	13522005	橡胶垫圈 (Φ5.7)	Rubber plugΦ5.7	1
25	10111004	前罩	Oil sight window	1
26	103484	后罩板	Side plate	1
27	13522008	橡胶垫圈 (Φ25.5)	Rubber plugΦ25.5	1
28	13622016	后罩板密封垫片	Gasket	1
29	13511001	后罩板螺钉	Screw	8
30	1012003	后罩板密封垫片	Washer	8
31	13512008	后罩板垫圈	Seep off plate	1
32	10511005	小轴油管螺钉	Screw	4
33	13522011	小轴油管垫圈	Gasket	1
34	10122019	前罩罩圈	O-ring	1
35	13522018	大轴针橡胶垫	Rubber gasket	1
36	102024	泵架体盖螺钉	Screw	2

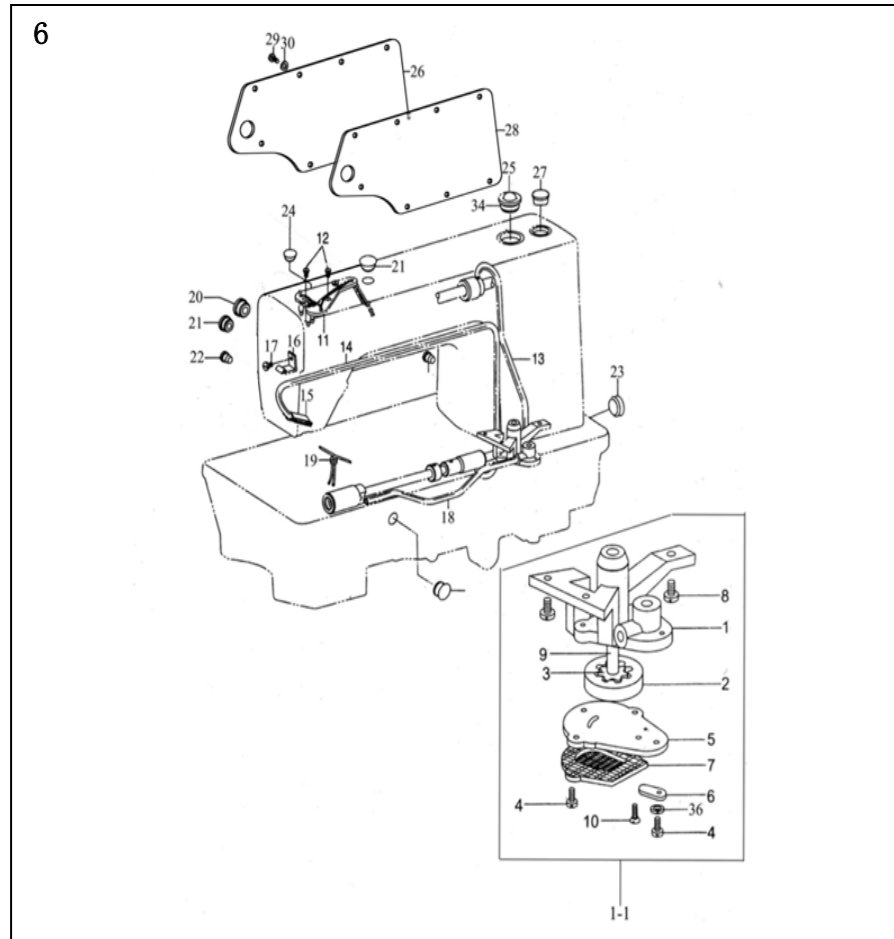


### 7. 剪线分组件

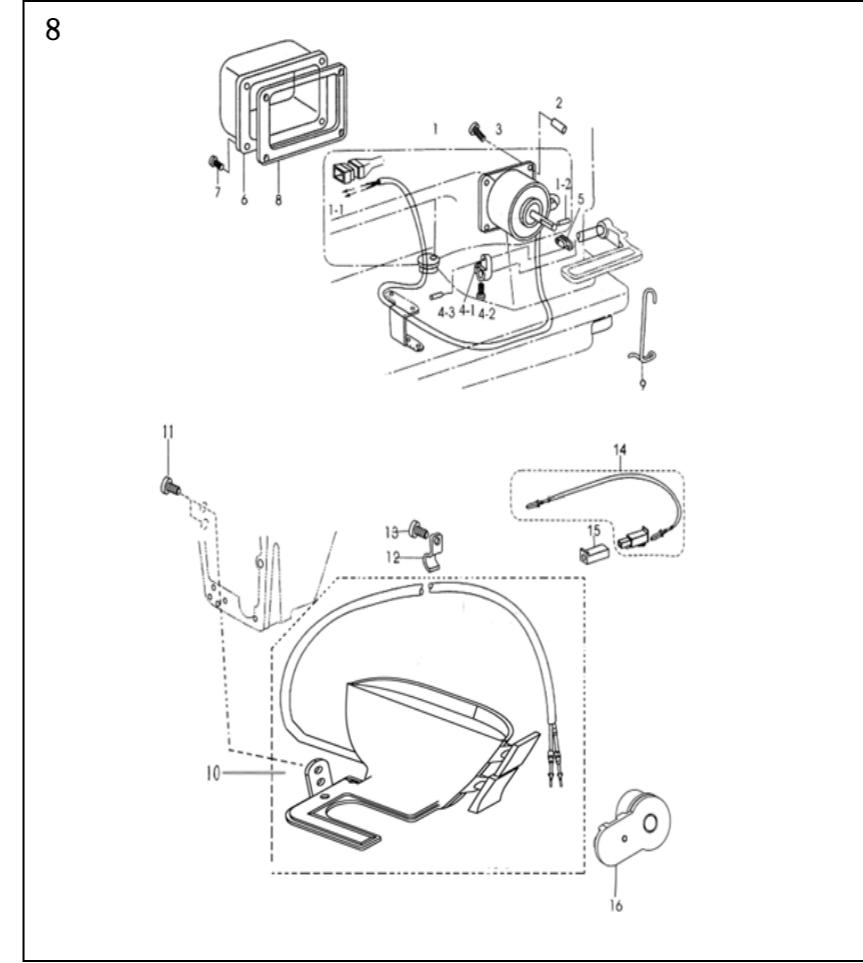
序号NO.	公司件号 Part NO.	名称PartName	零件描述Description	数量Number
1	13612006	剪线板	Thread trimmer driving lever	1
2	13612007	铁线支撑板	Adapter	1
3	136120001	铁线支撑板螺钉	Screw	1
4	13612008	铁线连接板	Adapter	1
5	10512005	铁线连接螺钉	Screw	2
6	13602007	铁线轴	Shaft	1
7	13627004	铁线轴弹簧	Spring	1
8	10010004	铁线轴套圈	Throat collar asm.	1
9	10512005	铁线轴固定螺钉	Screw	2
10	20512020	铁线轴固定螺母	Nut	1
11	11410005	铁线轴螺母	Nut	1
12	1363001200	铁线轴电动机驱动组件	Thread electromotor drive assembly	1
13	20512029	铁线轴固定螺母	Screw	4
14		铁线螺钉	Screw	1
15		铁线夹	Cable clip	1
16		铁线插头	Plug connector	2
17	13630005	铁线电动机	Pin	1
18	105012	铁线	Ring	2
19	1361200300	铁线轴组件	Pin	1
20	116510010	铁线轴	Nut	2
21	13612009	铁线轴	The mounting plate	1
22	13612004	铁线轴螺钉	Screw	1
23	13612003	铁线轴螺母	Screw	1
24	13601007	铁线轴	Bracket for fixed blade	1
25	13612010	铁线轴	Thread guide	1
26	10512005	铁线轴螺钉	Screw	1
27	13612001	铁线轴螺钉	Screw	1
28	13610001	铁线轴	Fixed blade	1
29	12220006	刀架	Blade holding bracket saddle	1
30	102024	泵架体盖螺钉	Nut	2

### 5. 旋梭组件 Hook components

序号NO.	公司件号 Part NO.	名称PartName	零件描述Description	数量Number
1	13502002	转轴	Spring shaft	1
2	13525001	上轴中齿轮	Gear asm.	1
3	10115007	螺钉	Screw	8
4	13525002	形轴中齿轮 (上)	Gear asm.	1
5	13525003	下轴中齿轮	Pinion asm.	1
6	13525004	形轴中齿轮 (下)	Gear asm.	1
7	13502004	形轴轴套 (上)	Bushing, upper	1
8	13602005	形轴下轴套	Spring shaft bushing, over	1
9	13515008	形轴轴套螺钉	Screw	2
10	13618001	钩心套组件	Hook asm.	1
11	10181001	钩心	Bobbin	1
12	13618003	钩架组件	Hook asm.	1
13	13602006	下轴	Hook driving shaft	1
14	11423003	下轴油嘴	Oil wick	1
15	13522007	下轴油嘴螺钉	Screw	1
16	13602008	下轴轴套	Bushing, front	1
17	13522008	油压调节螺钉	Oil adjusting screw	1
18	13527005	弹簧	Spring	1
19	1010002	下轴轴套	Throat collar asm.	1
20	10511012	下轴轴套螺钉	Screw	2
21	13602009	下轴轴套 (右)	Bushing, rear	1
22	13515009	下轴轴套螺钉	Screw	2
23	13502006	柱塞	Plunger	1
24	13527006	柱塞弹簧	Plunger spring	1
25	13512009	导板	Guide plate	1
26	13511019	轴套螺钉	Screw	1
27	13612005	旋转定位钩	Rotating hook positioner	1
28	10511011	旋转定位钩螺钉	Screw	1
29	13602010	下轴轴套	Bushing, middle	1
30	13620003	切线凸轴螺钉垫片	Washer	2
31	102004	切线轴弹簧垫圈	Washer	1
32	13521001	下轴轴套油管	Oil pipe for hook shaft bushing	1
33	11522001	下轴轴套	Plunger	1
34	13610003	切线凸轴	Thread trimmer cam	1
35	11611005	切线凸轴螺钉	Screw	2

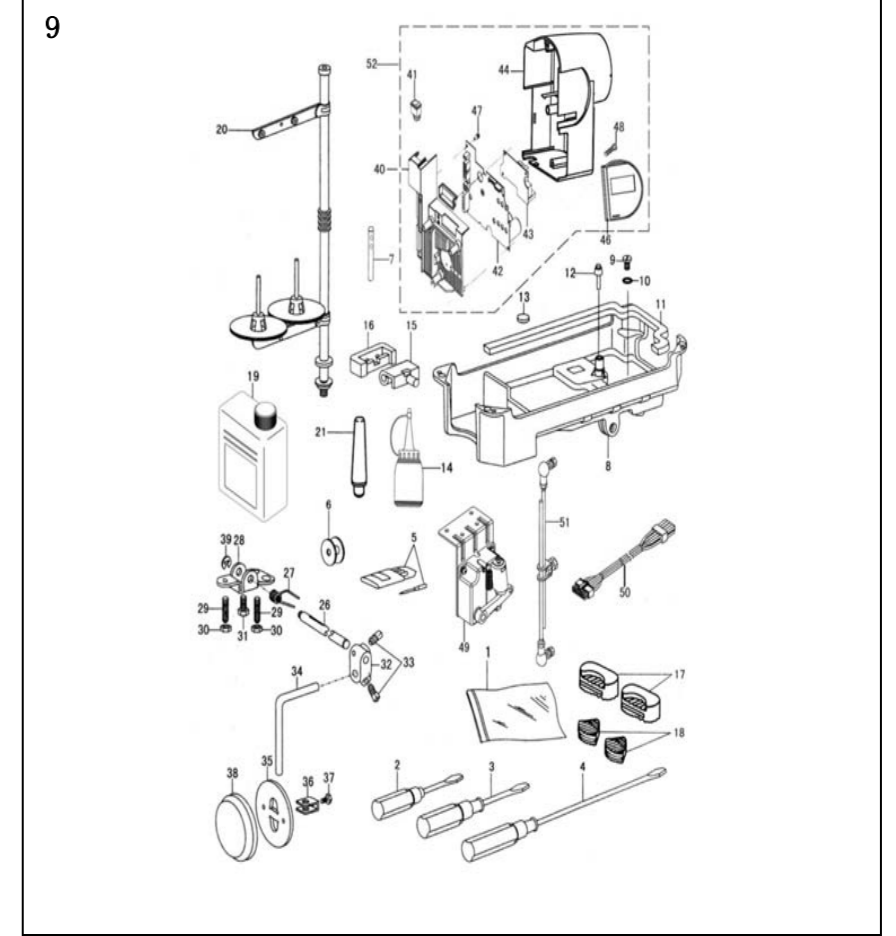


31	1001000	刀架 (左)	Blade base (Left)	1
32	10112029	轴套螺钉	Screw	1
33	1364001	轴套螺钉	Blade driving crank	1
34	13620002	轴套螺钉	Screw	2
35	1364001	轴套螺钉	Link	1
36	122517006	轴套螺钉	Screw	3
37	13620003	轴套螺钉	Washer	1
38	13619002	轴套	Shaftless blade (Left)	1
39	13617003	轴套螺钉	Blade driving shaft	2
40	13620000	轴套螺钉	Screw	1
41	1364002	轴套螺钉	Blade driving shaft	1
42	1361010	轴套	Blade base	1
43	13627005	轴套螺钉	Spring	1
44	13612011	轴套	Support plate	1
45	13611002	轴套螺钉	Screw	2
46	1361011	轴套	Support	1
47	13627006	轴套螺钉	Spring	1
48	20511002	轴套螺钉	Screw	2
49	1361001	轴套	Throat collar asm.	1
50	13622005	轴套	Washer	1
51	1364003	轴套螺钉	Blade driving shaft	1
52	13620003	轴套螺钉	Screw	2
53	13619002	轴套	Blade base	1
54	13617005	轴套螺钉	Screw	2
55	13612012	轴套螺钉	Nut	1
56	13620005	轴套螺钉	Screw	1
57	13617004	轴套螺钉	Screw	3
58	13620006	轴套	Blade base	1
59	13620007	轴套螺钉	Screw	1
60		轴套	Blade base	1
61		轴套	Blade base	1
62	10511005	轴套	Screw	4
63	13620011	轴套螺钉	Screw	1
64	1222001	轴套	Screw	1
65	13610002	轴套螺钉	Screw	1
66	13620000	轴套	Blade base	1
67	13610000	轴套	Blade holding bracket saddle asm.	1
68	102024	轴套	Nut	1



### 8. 自动倒送料开关组件 Automatic reverse feed components

序号NO.	公司件号 Part NO.	名称PartName	零件描述Description	数量Number
1	13030000	倒送料电磁铁组件	Buckettrich electromagnet assembly	1
1-1	13030006	插头	Plug	2
1-2	13020007	倒送料电磁铁连接销	Buckettrich electromagnet link pin	1
2	10030011	衬套	Bush	4
3	10011005	衬套螺钉	Screw	6
4	10004000	倒送料电磁铁轴销	Buckettrich electromagnet crank assembly	1
4-1	10004004	倒送料电磁铁轴销	Buckettrich electromagnet crank	1
4-2	13511002	轴套螺钉	Screw	1
4-3	13030006	倒送料电磁铁轴销	Link pin	1
5	10050002	倒送料电磁铁杆	Buckettrich solenoid rod	1
6	10001012	倒送料电磁铁盖	Buckettrich solenoid cover	1
7	10511011	倒送料电磁铁螺钉	Screw	4
8	13020000	倒送料电磁铁垫片	Wash.	1
9	10027007	倒送料电磁铁轴销	Spring hook	1
10	1003001100	倒送料电磁铁轴销	Link assembly	1
10-1	10012013	倒送料电磁铁开关安装架	Switch mounting bracket	1
10-2	10011002	倒送料电磁铁开关	Switch Block	1
10-3	10011003	倒送料电磁铁开关	Key switch	1
10-4	10011004	倒送料电磁铁开关触点	Switch contact number	1
10-5	10030002	倒送料电磁铁轴销	Switch assembly	1
10-6	10011014	倒送料电磁铁开关螺钉	Screw	1
11	10111004	开关安装架螺钉	Screw	1
12	10120206	轴套	Clamp	3
13	10511002	轴套螺钉	Screw	2
14		安全开关	Key switch	1
15		插头 (2)	Plug	1
16	10130000	小角电子式线嘴	Little blaf's nest electronic thread clamp device	1



### 9. 机头附件 Machine head accessories

序号NO.	公司件号 Part NO.	名称PartName	零件描述Description	数量Number
1	1031017	机头罩	Machine head cover	1
2	1031014	螺钉起子 (小)	Screw driver (small)	1
3	1031013	螺钉起子 (中)	Screw driver (middle)	1
4	1031012	螺钉起子 (大)	Screw driver (large)	1
5	13517001	针	Needle	4
6	10181001	梭芯	Bobbin	5
7	11212001	过线柱	Needle bar crank	1
8	13501007	油盒	Oil reservoir	1
9	13511041	油嘴螺钉	Screw	1
10	1001047	油嘴螺钉垫圈	Washer	1
11	13522006	油嘴垫圈	Gasket	1
12	13511006	油嘴提升杆	Oil press lifter rod	1
13	1031001	油嘴	Spout	1
14	20310308	小油壶	Oil pot	1
15	10222000	机壳胶套	Rubber coat	2
16	10120300	机壳胶套	Ring	2
17	10222023	机壳胶套 (大)	Cushion (big)	2
18	10222022	机壳胶套 (小)	Cushion (small)	2
19	101101200	油桶	Oil tank	1
20	103100700	线架组件	Spool stand complete	1
21	10110111	机头支柱	Frame support bar	1
22	13502005	倒送料轴	Reverse feed shaft	1
27	13527014	倒送料轴	Spring	1
28	13512026	倒送料轴	Oil lifter stop bracket	1
29	13515019	倒送料轴螺钉	Screw	2
30	1001029	倒送料轴	Nut	2
31	13512003	倒送料轴螺钉	Screw	1
32	10101008	倒送料轴接头	Connector	1
33	10112003	倒送料轴接头螺钉	Screw	2
34	10112028	倒送料轴接头	Bust rod	1
35	10112029	倒送料轴	Bull	1
36	10112030	倒送料轴	Bull bracket	1
37	10112004	倒送料轴	Bull bracket	1
38	10222024	倒送料轴	Fat	1
39	1005011	倒送料轴	Split stop ring	1
40		倒送料轴	Boat sink	1
41		倒送料轴	Electric control switch	1
42		倒送料轴	Electric board	1
43		倒送料轴	Small motor board	1
44		倒送料轴	The motor housing	1
46		倒送料轴	Operation panel	1
47		倒送料轴	Circuit board connecting screws	6
48	13612001	倒送料轴	Casting connection screw	3
49		倒送料轴	Electric control pedal	1
50		倒送料轴	The power cord	1
51		倒送料轴	Pedal connecting rod	1
52	13630000	倒送料轴	Machine electric control	1
53	11452001	倒送料轴	Casting connection screw	1

### 杰克缝制机股份有限公司

公司地址: 台州市椒江区机场南路十五号

邮编: 318000

国内销售部:

电话: 0086-576-8817778 8817779

传真: 0086-576-8817778

国贸部:

电话: 0086-576-8817778 8817774

传真: 0086-576-8817778

免费售后服务电话: 400-8876858

http://www.chinajack.com

资料如有更改, 恕不另行通知, 以实物为准。