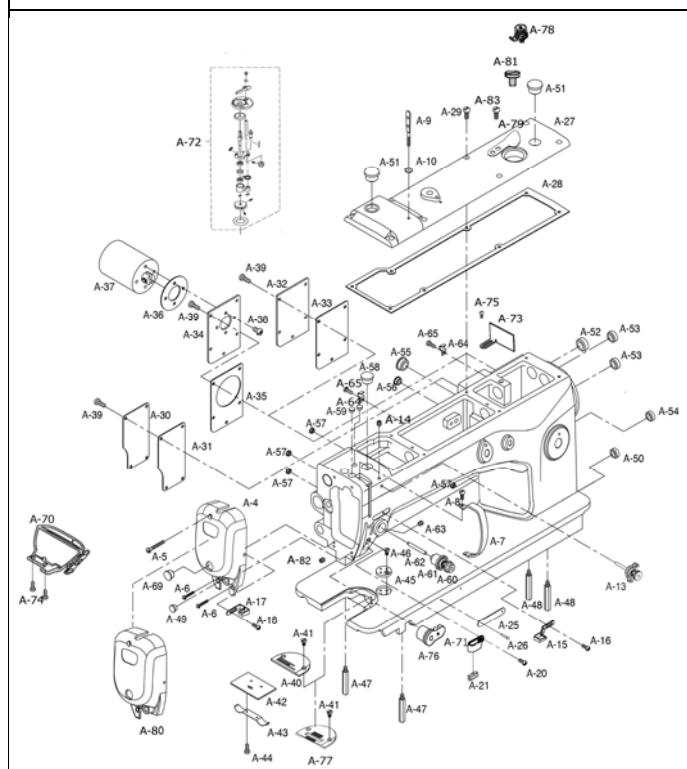


JK-2030G复合送料平缝机系列

JK-2060G综合送料平缝机系列

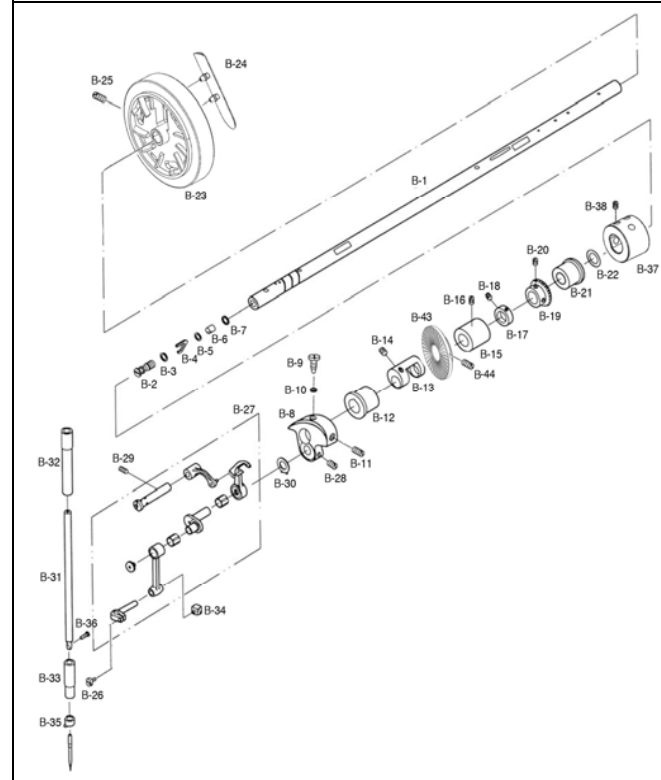
A 机壳部件/Machine Body & Thread Tension Adjusting Mechanism



A 机壳部件/Machine Body & Thread Tension Adjusting Mechanism

序号 NO.	公司件号 Part No.	名称 PartName	零件描述 Description	数量 Number	
				JK-2030GHC-3Q	JK-2060GHC-3Q
A-4	14201001	面板	Face Plate	1	1
A-5	142511001	面板上螺钉	Screw For Face Plate(Upper)	2	2
A-6	135S11047	面板下螺钉	Screw(11/64" n=40)	1	1
A-7	14212001	挑线杆防护罩	Thread Take Up Cover	1	1
A-8	409S11008	挑线杆防护罩螺钉	Screw(11/64" n=40)	1	1
A-9	14213001	针杆上过线	Upper Thread Guide Pin Assembly	1	1
A-10	142516001	针杆上过线锁紧螺母	Nut For A-9	1	1
A-13	1351300100	小夹线器组件	Sub Upper Thread Tension Assembly Control	1	1
A-14	113S14020	小夹线器支头螺钉	Screw(11/64" n=40)	1	1
A-15	14213004	机壳线勾	Arm Thread Guide	1	1
A-16	101S11005	机壳线勾螺钉	Screw(9/64" n=40)	1	1
A-17	14213005	面板线勾	Face Plate Thread Guide	1	1
A-18	101S11005	面板线勾螺钉	Screw(9/64" n=40)	1	1
A-20	101S11005	线勾螺钉	Screw(9/64" n=40)	1	1
A-21	1423001	机针过线夹毡油毡	Upper Thread Oil Felt	1	1
A-23	14237001	机壳型号牌	Model Mark	1	1
A-24	14237002	机壳型号牌	Model Mark	1	1
A-25	14237003	机壳型号牌	Machine Number Plate	1	1
A-26	14226001	机壳型号牌钉	Pin For A-25	2	2
A-27	14201002	上盖	Top Cover	1	1
A-28	14222001	上盖密封垫	Gasket For Top Cover	1	1
A-29	201S11020	上盖螺钉	Screw(11/64" n=40)	8	8
A-30	14212002	后前盖板	Back Cover(A)	1	1
A-31	14222002	后前盖板密封垫	Gasket For Back Cover(A)	1	1
A-32	14212003	后盖板	Rear cover PLATE Gasket	1	1
A-33	14222003	后盖板密封垫	Rear COVER PLATE Gasket	1	1
A-34	14212004	电磁铁盖板	B/T Solenoid Bracket	1	1
A-35	14222004	电磁铁盖板密封垫	Gasket for B/T Solenoid Bracket	1	1
A-36	14212005	电磁铁连接板	Gasket for B/T Solenoid	1	1
A-37	14230001	电磁铁磁阻组件	B/T Solenoid Asm	1	1
A-38	402S11003	螺钉11/64"×40×10	Screw(11/64" n=40)	13	13
A-40	14215001	针板	Needle Plate	1	1
A-41	101S17002	针板螺钉	Screw(11/64" n=40)	2	2
A-42	14215002	推板	Slide Plate	1	1
A-43	14227001	推板簧	Slide Plate Spring	1	1
A-44	101S11019	推板簧螺钉	Screw For A-43	2	2
A-45	13512001	夹边座	Gauge Plate	1	1
A-46	101S11002	夹边座螺钉	Screw(11/64" n=40)	2	2
A-47	142S30002	机头前支撑杆	Bed Base (Front)	2	2
A-48	142S30003	机头后支撑杆	Bed Base (Rear)	2	2
A-49	14222005	橡皮塞	Face Plate Rubber Cap	1	1
A-50	13522008	下轴后端橡皮塞	Top Rubber Cap	1	1
A-51	14222007	上盖橡皮塞	Bed Cover Rubber Cap	3	3
A-52	14222008	倒缝架后孔橡皮塞	Feed Regulator Shaft Rubber Cap	1	1
A-53	14222009	脚踏启动轴后橡皮塞	Click Device Adjusting Shaft Rubber Cap	2	2
A-54	14222010	脚踏启动轴前橡皮塞	Rear cover Adjusting Shaft Rubber Cap	1	1
A-55	13522008	后大橡皮塞	Arm Back Part Rubber Cap(Large)	1	1
A-56	14222005	橡皮塞	Arm Back Part Rubber Cap(Middle)	1	1
A-57	14222013	机壳后左橡皮塞	Arm Back Part Rubber Cap(Small)	5	5
A-58	14222014	倒缝电磁铁电线橡皮塞	Arm Upper Part Rubber Cap(Large)	1	1
A-59	10122013	挑线杆销橡皮塞	Arm Upper Part Rubber Cap(Small)	2	2
A-60	1421300700	夹线器组件	Thread Tension Control Assembly	1	1
A-61	14222016	夹线器防油圈	Rubber Cap For A-60	1	1
A-62	14226002	松线钉	Tension Release Pin	1	1
A-63	136S14002	夹线器紧固螺钉	Screw(15/64" n=28)	1	1
A-64	14212007	电线夹	Cable Holder	3	3
A-65	101S11002	电线夹螺钉	Screw(11/64" n=40)	3	3
A-66	14212008	侧盖板电线夹	Holder for Upper Thread Oil Supply	1	1
A-69	14222007	面板橡皮塞	Rubber Cap	1	1
A-70	1423001000	倒送料开关组件	Reverse Feed Assembly	1	1
A-71	14213011	下过线勾	Arm Thread Guide Plate(1)	1	1

B 上轴针杆部件/Upper Shaft & Needle Bar Mechanism



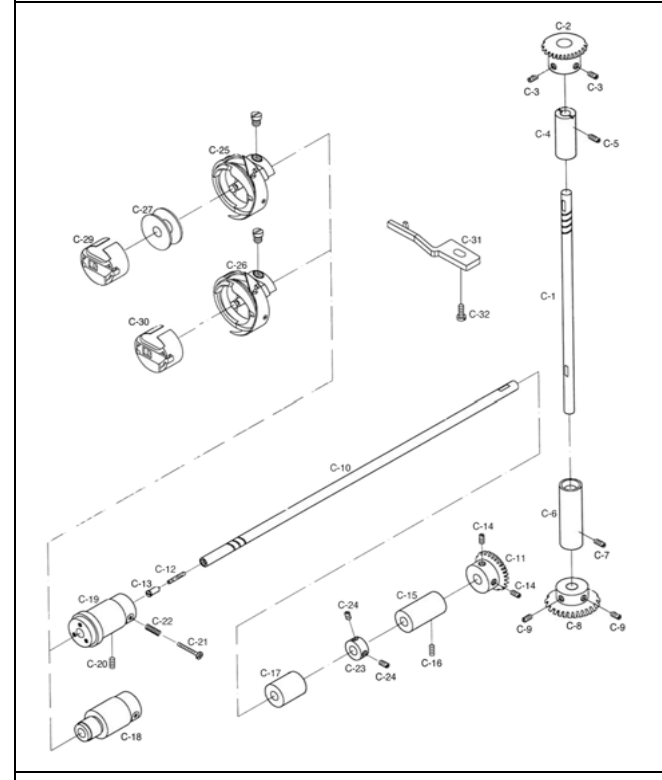
B 上轴针杆部件/Upper Shaft & Needle Bar Mechanism

序号 NO.	公司件号 Part No.	名称 PartName	零件描述 Description	数量 Number	
				JK-2030GHC-3Q	JK-2060GHC-3Q
B-1	14202001	上轴	Upper Shaft	1	1
B-2	14226003	上轴油量调节阀	Oil Adjusting Pin For B-1	1	1
B-3	14222018	调节阀O型圈	O-Ring For B-2	2	2
B-4	10423005	油线	Spring For B-2	1	1
B-5	14228001	油量调节阀平面垫圈	Washer For B-6	1	1
B-6	14223003	油量调节阀油毡毡	Upper Shaft Felt	1	1
B-7	14228002	油量调节阀橡胶垫圈	Upper Shaft Urethan Washer	1	1
B-8	14204001	针杆曲柄	Link Cam	1	1
B-9	142S30004	针杆曲柄定位螺钉	Screw(9/32" n=28)	1	1
B-10	14222018	针杆曲柄定位螺钉O型圈	O-Ring for B-9	1	1
B-11	14225004	针杆曲柄紧固螺钉	Screw(1/4" n=28)	1	1
B-12	14203001	上轴前轴套	Upper Shaft Front Bushing	1	1
B-13	14210001	上轴平衡块	Balance Cam	1	1
B-14	409S14001	上轴平衡块螺钉	Screw(1/4" n=40)	2	2
B-15	14203002	上轴中轴套	Upper Shaft Middle Bushing	1	1
B-16	135S15008	上轴中轴套支头螺钉	Screw(15/64" n=28)	1	1
B-17	14208001	上轴紧固圈	Upper Shaft Collar	1	1
B-18	101S15002	上轴紧固螺钉	Screw(1/4" n=40)	2	2
B-19	14225002	上轴齿轮组件	Upper Shaft Gear Ass'y	1组	1组
B-20	101S15002	上轴齿轮螺钉	Screw(1/4" n=40)	1	1
B-21	14203003	上轴后轴套	Upper Shaft Rear Bushing	1	1
B-22	14222020	上轴后轴套油封	Oil Seal For B-21	1	1
B-23	14201003	手轮	Pulley	1	1
B-24	14237005	商标牌	plate with trademark	1	1
B-25	S10009	手轮紧固螺钉	Screw(15/64" n=28)	2	2
B-26	101S11005	螺钉	Screw(9/64" n=40)	1	1
B-27	142380100	挑线杆组件	Thread Take-Up Lever Assembly	1组	1组
B-28	101S15002	挑线杆固定螺钉	Screw(1/4" n=40)	2	2
B-29	136S14001	挑线杆紧固螺钉	Screw(15/64" n=28)	1	1
B-30	14208002	挑线杆组件后定位片	Protection Plate for B-8	1	1
B-31	14202002	针杆	Needle Bar	1	1
B-32	14203004	针杆上轴套	Needle Bar Upper Bushing	1	1
B-33	14203005	针杆下轴套	Needle Bar Lower Bushing	1	1
B-34	14209001	针杆接头滑块	Needle Bar Guide Slide Block	1	1
B-35	14213008	针杆过线环	Needle Bar Thread Guide	1	1
B-36	101S11006	针杆过线环螺钉	Screw(1/8" n=44)	1	1
B-37	13602018	联轴器(D型)	Coupling (type d)	1	1
B-38	S10018	联轴器螺钉	Screw(M6)	4	4
B-43	14235001	绕线驱动轮	Winding wheel	1	2
B-44	403S14008	驱动轮螺钉	Screw(M5)	2	2

A 机壳部件/Machine Body & Thread Tension Adjusting Mechanism

序号 NO.	公司件号 Part No.	名称 PartName	零件描述 Description	数量 Number	
				JK-2030GHC-3Q	JK-2060GHC-3Q
A-72	1423102600	绕线器组件	Bobbin Winder Assembly	1	1
A-73	14212067	挡油板	Keep off Plate	1	1
A-74	421S13061	开关固定螺钉	Screw (M3)	2	2
A-75	421S13038	螺钉M3×6	Screw (M3)	2	2
A-76	14230011	电子夹线器	Electronic Thread Clamp Device	1	1
A-77	14215003	针板(三同步)	Needle plate (triple sync)	1	1
A-78	409S12004	张力控制组件	Tension control Component	1	1
A-79	11419001	割线刀	Thread Cutter	1	1
A-80	14201014	面板(三同步)	Panel (triple Sync)	1	1
A-81	114S11003	绕线器螺钉	Screw	3	3
A-82	S10008	内六角支头螺钉M4×6	Screw (M4)	1	1
A-83	101S11005	螺钉	Screw (9/64"×40)	2	2

C 竖轴下轴部件/Upright Shaft & Lower Shaft Mechanism



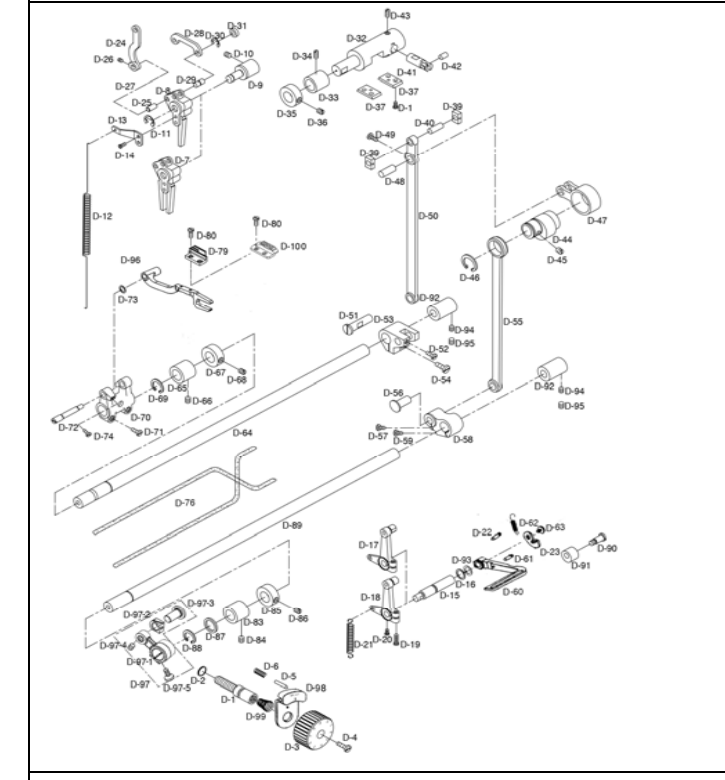
C 竖轴下轴部件/Upright Shaft & Lower Shaft Mechanism

序号 NO.	公司件号 Part No.	名称 PartName	零件描述 Description	数量 Number	
				JK-2030GHC-3Q	JK-2060GHC-3Q
C-1	14202003	竖轴	Upright Shaft	1	1
C-2	14225002	竖轴上齿轮组件	Upright Shaft Upper Gear Asm	1	1
C-3	101S15002	竖轴上齿轮螺钉	Screw(1/4" n=40)	2	2
C-4	14203006	竖轴上轴套	Upright Shaft Upper Bushing	1	1
C-5	135S15008	竖轴上轴套紧固螺钉	Screw(15/64" n=28)	1	1
C-6	14203007	竖轴下轴套	Upright Shaft Lower Bushing	1	1
C-7	135S15008	竖轴下轴套紧固螺钉	Screw(15/64" n=28)	1	1
C-8	14225003	竖轴下齿轮组件	Upright Shaft Lower Gear Asm	1	1
C-9	101S15002	竖轴下齿轮螺钉	Screw(1/4" n=40)	2	2
C-10	14202004	下轴	Lower Shaft	1	1
C-11	14225004	下轴齿轮	Lower Shaft Gear Asm	1	1
C-12	10123003	下轴油毡毡	Lower Shaft Felt	1	1
C-13	135S20007	下轴油毡毡螺钉	Cap Screw for Lower Shaft Oil Felt	1	1
C-14	101S15002	下轴油毡毡紧固螺钉	Screw(1/4" n=40)	2	2
C-15	14203008	下轴后轴套	Lower Shaft Rear Bushing	1	1
C-16	135S15009	下轴后轴套紧固螺钉	Screw(15/64" n=28)	1	1
C-17	14203009	下轴中轴套	Lower Shaft Middle Bushing	1	1
C-18	14203010	下轴前轴套	Lower Shaft Front Bushing	1	1
C-19	14203011	下轴前轴套	Lower Shaft Front Bushing	1	1
C-20	135S15008	下轴前轴套紧固螺钉	Screw(15/64" n=28)	1	1
C-21	142S30007	下轴油量调节阀	Lower Shaft Oil Adjusting Valve	1	1
C-22	14227002	油量调节阀簧	Spring For C-23	1	1
C-23	10108002	下轴紧固圈	Lower Shaft Collar	1	1
C-24	101S11012	下轴紧固螺钉	Screw(11/64" n=40)	2	2
C-25	13618003	旋梭组件	Rotary Hook Asm	1	1
C-26	10818001	旋梭组件	Rotary Hook Asm	1	1
C-27	10818001	旋梭组件	Rotary Hook Asm	1	1
C-28	14203010	下轴前轴套	Lower Shaft Front Bushing	1	1
C-29	13618001	梭心套组件	Bobbin Case Asm	1	1
C-30	10818502	梭心套组件	Bobbin Case Asm	1	1
C-31	13612005	梭心套定位	Inner Bobbin Stopper	1	1
C-32	201S11020	梭心套定位螺钉	Screw(11/64" n=40)	1	1

D 针距调节部件/Lower Feed Mechanism

序号 NO.	公司件号 Part No.	名称 PartName	零件描述 Description	数量 Number	
				JK-2030GHC-3Q	JK-2060GHC-3Q
D-80	101S11018	送布牙螺钉	Screw(1/8" n=44)	2	2
D-83	14203025	抬布轴左轴套	Feed Lifting Shaft Bushing	1	1
D-84	135S15009	抬布轴左轴套螺钉	Screw(15/64" n=28)	1	1
D-85	10108003	抬布轴轴套	Collar for D-89	1	1
D-86	101S15002	抬布轴轴套螺钉	Screw(1/4" n=40)	2	2
D-87	14212018	抬布轴左轴套垫圈	Washer For D-89	1	1
D-88	H03001	抬布轴轴套开口圈	C-Ring for D-89	1	1
D-89	14202008	抬布轴	Feed Lifting Shaft	1	1
D-90	142S20001	倒缝扳手定位圈螺钉	Stud Screw For D-91	1	1
D-91	14222023	倒缝扳手定位圈	Upper Stopper Rubber for Reverse Lever	1	1
D-92	14203014	抬布轴右轴套	Lifting tooth feeding shaft right sleeve	2	2
D-93	42128005	垫圈	Spacer	1	1
D-94	409S15004	送布轴右轴套螺钉	Screw(15/64" n=28)	1	1
D-95	135S15009	抬布轴右轴套螺钉	Screw(15/64" n=28)	1	1
D-96	14206002	牙架	Feed bar asm	1	1
D-97	1420600100	抬布轴轴套	Crank assembly	1组	1组
D-97-1	14205003	抬布轴柄	Lift crank	1	1
D-97-2	14209002	抬布轴滑块	Lifting block	1	1
D-97-3	14202009	抬布轴滑块	Lift shaft	1	1
D-97-4	205S14008	抬布轴螺钉	Screw	1	1
D-97-5	101S11016	抬布轴柄螺钉	Screw	1	1
D-98	14212068	按键	Feed regulator key-press	1	1
D-99	13527009	按键簧	Dial spring for stopper pin	1	1
D-100	14214002	送布牙	Send Bougat (triple sync)	1	1

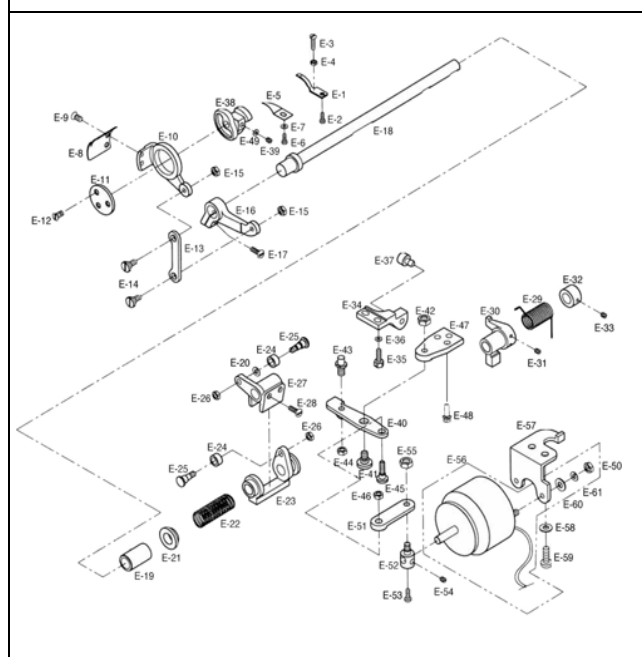
D 针距调节部件/Lower Feed Mechanism



D 针距调节部件/Lower Feed Mechanism

序号 NO.	公司件号 Part No.	名称 PartName	零件描述 Description	数量 Number	
				JK-2030GHC-3Q	JK-2060GHC-3Q
D-1	142S30008	针距调节螺杆	Feed Regulator Dial Shaft	1	1
D-2	14222002	针距调节螺杆O型圈	O-Ring For D-1	1	1
D-3	1421100100	针距标盘	Dial	1	1
D-4	101S11022	针距标盘螺钉	Screw(3/16" n=28)	1	1
D-5	11426022	止动销	Stopper pin	1	1
D-6	11427034	止动销簧	Spring for stopper pin	1	1
D-8	14201006	针距座	Feed Regulator	1	1
D-9	14226005	针距座销	Feed Adjusting Shaft	1	1
D-10	136S14002	针距座支头螺钉	Screw(15/64" n=28)	1	1
D-11	H05				

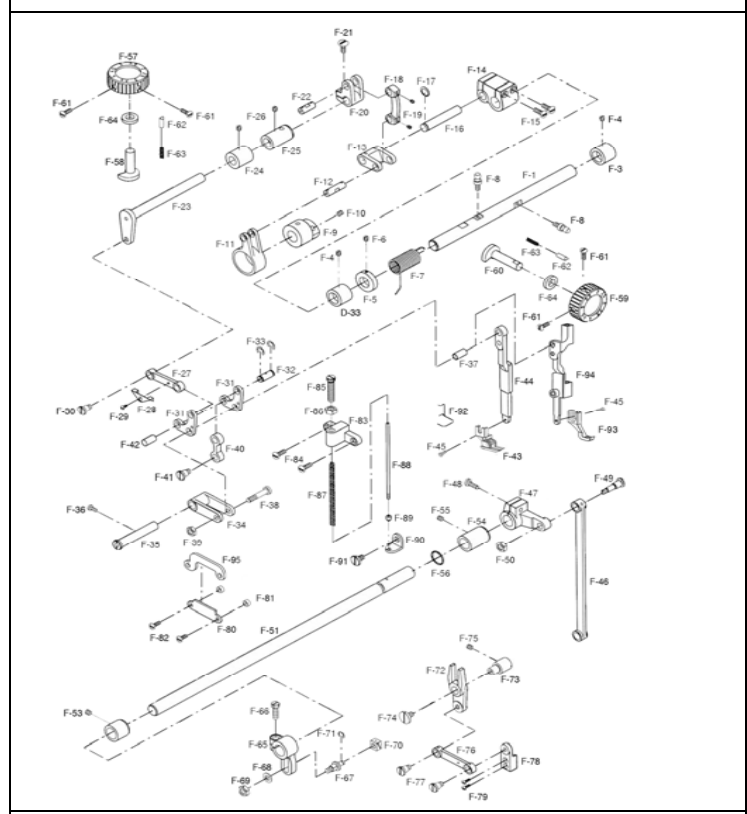
E 剪线部件/Thread Trimmer Mechanism



E 剪线部件/Thread Trimmer Mechanism

序号 NO.	公司件号 Part NO.	名称 PartName	零件描述 Description	数量 Number	
				JK-2030GHC-3Q	JK-2060GHC-3Q
E-1	13619001	定刀	Fixed Mes	1	1
E-2	136S17001	定刀螺钉	Screw(9/64" n=40)	1	1
E-3	113S15002	定刀压力调节螺钉	Screw(1/8" n=40)	1	1
E-4	402S16007	压力调节螺钉锁紧螺母	Nut(1/8" n=40)	1	1
E-5	14212019	分线板	Thread Retaining Plate	1	1
E-6	402S11003	分线板螺钉	Screw(11/64" n=40)	1	1
E-7	42128003	分线板螺钉垫圈	Washer for E-5	1	1
E-8	136S19002	动刀	Rotary Mes	1	1
E-9	136S17003	动刀螺钉	Screw(11/64" n=40)	2	2
E-10	14204005	动刀架	Thread Trimming Holder	1	1
E-11	14212021	动刀架压板	Thread Trimming Cover	1	1
E-12	136S17004	动刀架压板螺钉	Screw(9/64" n=40)	3	3
E-13	14205004	切刀连杆	Thread Trimming Lever Connecting Link	1	1
E-14	142S20002	切刀连杆轴位螺钉	Stud Screw for E-13	2	2
E-15	116S16006	切刀连杆轴位螺母	Nut for E-14	2	2
E-16	14204006	切刀驱动曲柄	Thread Trimming Lever	1	1
E-17	413S13023	切刀驱动曲柄夹紧螺钉	Screw(0M6)	1	1
E-18	14202010	切刀驱动轴	Thread Trimming Shaft	1	1
E-19	14203015	切刀驱动轴衬套	Thread Trimming Shaft Bushing	1	1
E-20	W02001	弹簧垫圈	Spring Washer	2	2
E-21	13601010	切线凸轮轴曲柄端盖	Guide Bush for Return Spring	1	1
E-22	13627005	切线凸轮轴曲柄复位簧	Slide Arm Return Spring	1	1
E-23	14204007	凸轮轴曲柄	Slide Arm	1	1
E-24	14208007	凸轮轴左右曲柄滚柱	Roller	2	2
E-25	142S20003	滚柱轴位螺钉	Stud Screw for E-24	1	1
E-26	142S16005	滚柱轴位螺母	Nut(3/16" n=32)	2	2
E-27	14204008	凸轮轴左曲柄	Cam Follow Crank	1	1
E-28	136S14002	凸轮轴右曲柄	Screw(15/64" n=28)	2	2
E-29	14227007	驱动轴复位簧	Return Spring	1	1
E-30	14204009	驱动轴复位块	Stopper Lever	1	1
E-31	136S14002	驱动轴复位块螺钉	Screw(15/64" n=28)	2	2
E-32	20108001	驱动轴轴套	Collar for E-18	1	1
E-33	201S14002	驱动轴轴套螺母	Screw(11/64" n=40)	2	2
E-34	14203003	驱动轴限位块	Stopper	1	1
E-35	136S11048	驱动轴限位块垫圈	Screw(3/16" n=32)	2	2
E-36	40920020	驱动轴限位块螺钉垫圈	Washer	2	2
E-37	14222024	限位块缓冲垫	Stopper Lever Cushion Rubber	1	1
E-38	13610003	切线凸轮	Mes Cam	1	1
E-39	116S14005	切线凸轮螺钉	Screw(1/4" n=40)	2	2
E-40	14212023	电磁铁连杆杆	Clutch Lever	1	1
E-41	142S20004	连杆中轴位螺钉	Stud Screw for E-38	1	1
E-42	409S16020	限位调节螺母	Nut(15/64" n=28)	1	1
E-43	142S30009	杆限位调节螺钉	Stud Screw for E-38	1	1
E-44	409S16020	限位调节螺母	Nut(15/64" n=28)	1	1
E-45	142S20005	电磁铁连杆轴位螺钉	Stud Screw for E-47	1	1
E-46	116S16006	电磁铁连杆轴位螺母	Nut(3/16" n=32)	1	1
E-47	14212024	连杆杆连接板	Base Plate	1	1
E-48	421S13027	螺钉带垫圈x12	Screw(M5)	3	3
E-49	136S20003	切线凸轮轴衬套	Washer for E-39	2	2
E-50	N01001	螺母M4	Screw(M4)	2	2
E-51	14205005	电磁铁连杆	Solenoid Connecting Link	1	1
E-52	14226008	电磁铁连杆销	Solenoid Pin	1	1
E-53	101S11008	电磁铁连杆销螺钉	Screw(11/64" n=40)	1	1
E-54	12S515003	电磁铁连杆销紧圈螺母	Screw(11/64" n=40)	1	1
E-55	N01004	电磁铁连杆销螺母	Nut(M5)	1	1
E-56	142000500	切刀电磁铁组件	Thread Trimming Solenoid Ass	1	1
E-57	14212027	刀片固定垫圈	Base for E-51	1	1
E-58	W02004	电磁铁固定弹簧垫圈	Washer	2	2
E-59	401S13001	电磁铁固定架螺钉	Screw(15/64" n=28)	2	2
E-60	N01001	垫圈	Washer	2	2
E-61	W02023	弹簧垫圈	Spring Washer	2	2

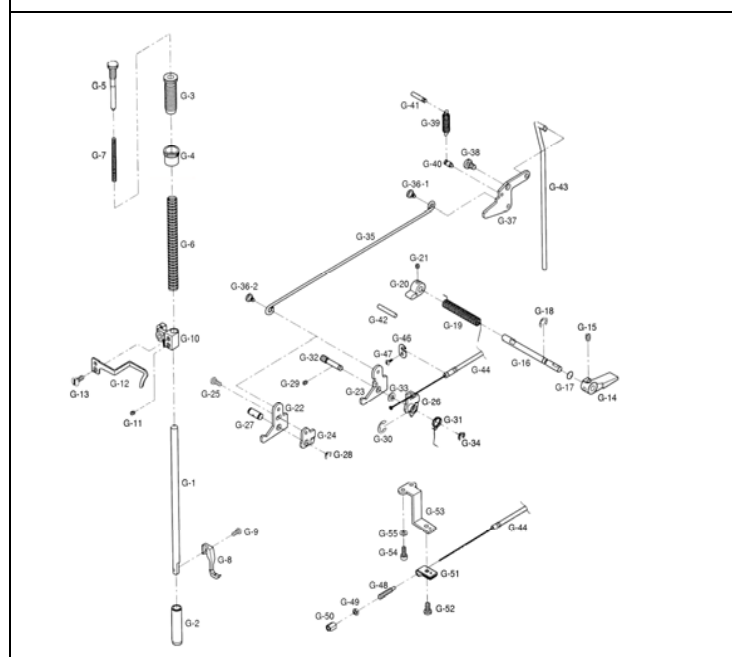
F 上送料部件/Thread Trimmer Mechanism



F 上送料部件/Thread Trimmer Mechanism

序号NO.	公司件号 Part NO.	名称 PartName	零件描述 Description	数量 Number	
				JK-2030GHC-3Q	JK-2060GHC-3Q
F-1	14202011	压脚提升调节轴	Climb Device Adjusting Shaft	1	1
F-3	14203025	压脚提升调节轴左轴套	Climb Device Adjusting Shaft Bushing(Front)	1	1
F-3	14203018	压脚提升调节轴右轴套	Climb Device Adjusting Shaft Bushing(Rear)	1	1
F-4	12S515003	压脚提升调节轴轴套螺钉	Screw(11/64" n=40)	1	1
F-5	10108003	紧圈	Collar for F-1	2	2
F-6	13S515004	紧圈螺母	Screw(1/4" n=40)	4	4
F-7	14227008	压脚提升轴复位簧	Return Spring for F-1	1	1
F-8	142S30010	压脚提升轴螺母	Holder for F-7	2	2
F-9	14210003	送料左曲柄凸块	Upper Feed Driving Eccentric Cam	1	1
F-10	101S15002	送料左曲柄凸块螺钉	Screw(1/4" n=40)	2	2
F-11	14204010	送料左曲柄	Upper Feed Driving Eccentric Cam Rod	1	1
F-12	14226009	送料左曲柄销	Connecting Pin for F-11	1	1
F-13	14204011	压脚提升轴支架曲柄	Connecting Link for F-11	1	1
F-14	14202012	压脚提升轴支架	Upper Feed Driving Control Crank	1	1
F-15	116S11005	压脚提升轴支架螺钉	Screw(11/64" n=40)	4	4
F-16	14202013	压脚提升轴支架螺母	Connecting Shaft for F-14	1	1
F-17	W05011	支轴衬套	E-Ring for F-16	2	2
F-18	14205006	提升轴调节曲柄连杆	Upper Feed Driving Connecting Link	1	1
F-19	113S14002	提升轴调节曲柄连杆螺钉	Screw(11/64" n=40)	2	2
F-20	14204012	提升轴调节曲柄	Upper Feed Driving Crank	1	1
F-21	401S11009	提升轴调节曲柄夹紧螺钉	Screw(15/64" n=28)	1	1
F-22	14226010	提升轴调节曲柄销	Connecting Pin for F-20	1	1
F-23	14202014	压脚提升轴轴套	Upper Feed Driving Shaft	1	1
F-24	14203019	压脚提升轴轴套衬套	Upper Feed Driving Shaft Front Bushing	1	1
F-25	14203020	压脚提升轴轴套衬套	Upper Feed Driving Shaft Rear Bushing	1	1
F-26	13S515008	提升轴左右轴套螺钉	Screw(15/64" n=28)	2	2
F-27	14205007	压脚送料曲柄连杆	Upper Feed Driving Rod	1	1
F-28	14212029	压脚送料曲柄连杆油线夹	Upper Feed Driving Rod Wick Holder	1	1
F-29	101S11005	连杆油线夹螺钉	Screw(9/64" n=40)	1	1
F-30	142S20006	压脚送料曲柄连杆轴位螺钉	Hinge Screw for Upper Feed Driving Rod	1	1
F-31	14204013	压脚送料曲柄轴套	Upper Feed Connecting Link	1	2
F-32	14202015	送料曲柄轴套	E-Ring for F-32	1	1
F-33	W05031	送料曲柄轴套轴套	E-Ring for F-32	2	2
F-34	14204014	送料曲柄轴套	Upper Feed Lever Rock Crank	1	1
F-35	14204015	送料曲柄轴套	Upper Feed Lever Rock Crank Shaft	1	1
F-36	13S515009	送料曲柄轴套螺钉	Screw(15/64" n=28)	1	1
F-37	14203021	压脚提升轴轴套	Upper Feed Lever Connecting Pin	1	1
F-38	142S20007	送料曲柄轴套轴套螺钉	Upper Feed Lever Driving Link Hinge Screw	1	1
F-39	409S16020	送料曲柄轴套轴套螺母	Nut(15/64" n=28)	1	1
F-40	14205008	送料曲柄轴套	Presser Bar Bracket Connecting Link	1	1
F-41	142S20006	送料曲柄轴套轴套螺钉	Hinge Screw for F-40	1	1
F-42	14226011	送料曲柄轴套轴套	Pin for F-40	1	1
F-43	142160010	压脚组件	Upper Feed Presser Foot Assembly	1	1
F-44	14205009	压脚连杆	Upper Feed Lever	1	1
F-45	13S511030	压脚螺钉	Screw(9/64" n=40)	1	1
F-46	14205010	压脚提升轴右曲柄连杆	Upper Feed Lever Level Driving Rod	1	1
F-47	14204016	压脚提升轴右曲柄连杆	Upper Feed Lever Level Driving Shaft Crank(Rear)	1	1
F-48	13S511032	压脚提升轴右曲柄轴套螺钉	Screw(15/64" n=28)	1	1
F-49	142S20009	右曲柄轴套轴套螺钉	Screw(9/32" n=28)	1	1
F-50	13S516006	右曲柄轴套轴套螺母	Nut(9/32" n=28)	1	1
F-51	14202016	压脚提升轴轴套	Upper Feed Lever Level Driving Shaft	1	1
F-52	14203014	抬牙送布轴轴套	Upper Feed Lever Level Driving Shaft Front Bushing	1	1
F-53	13S515008	压脚提升轴轴套轴套螺钉	Screw(15/64" n=28)	1	1
F-54	14203023	压脚提升轴轴套轴套螺母	Upper Feed Lever Level Driving Shaft Rear Bushing	1	1
F-55	409S11004	压脚提升轴轴套轴套	Screw(15/64" n=28)	1	1
F-56	14222025	压脚提升轴轴套轴套	O-Ring for F-51	1	1
F-57	14211002	压脚提升轴轴套轴套轴套	Climb Device Dial Ass'y (Top Cover)	1	1
F-58	14210004	上盖轴套轴套轴套	Climb Device Eccentric Cam(Top Cover)	1	1
F-59	14211003	压脚提升轴轴套轴套轴套	Climb Device Dial Ass'y (Arm)	1	1
F-60	14210005	压脚提升轴轴套轴套轴套	Climb Device Eccentric Cam(Arm)	1	1
F-61	402S14001	调节凸块轴套轴套	Screw(15/64" n=28)	4	4
F-62	14226012	调节凸块轴套轴套	Pin for F-57, F-59	2	2
F-63	14227009	标盘止动销	Spring for F-62	2	2
F-64	14212031	调节凸块轴套轴套	Climb Device Dial Support Ring	2	2
F-65	13S504008	压脚提升轴轴套轴套轴套	Upper Feed Lever Level Adjusting Crank	1	1
F-66	13S511032	压脚提升轴轴套轴套轴套	Screw(15/64" n=28)	1	1
F-67	142090040	压脚提升轴轴套轴套轴套轴套	Upper Feed Level Adjusting Shaft	1组	1组
F-67	142S30011	压脚提升轴轴套轴套轴套轴套	Upper Feed Level Adjusting Shaft	1	1
F-68	W01003	曲柄轴套轴套轴套轴套	Washer for F-67	1	1
F-69	113S16005	曲柄轴套轴套轴套轴套	Block for F-67	1	1
F-70	14209004	曲柄轴套轴套轴套轴套	E-Ring for F-67	1	1
F-71	W05029	曲柄轴套轴套轴套轴套轴套	E-Ring for F-67	1	1
F-72	14204018	提升压脚提升轴轴套轴套	Upper Feed Level Driving Link	1	1
F-73	14202017	提升压脚提升轴轴套轴套轴套	Hinge Shaft for F-72	1	1
F-74	142S11044	提升压脚提升轴轴套轴套轴套轴套	Set Screw for F-72	1	1
F-75	13S515008	曲柄轴套轴套轴套轴套轴套	Screw(15/64" n=28)	1	1

G 压脚调节部件/Presser Foot&Tension Release Mechanism



G 压脚调节部件/Presser Foot&Tension Release Mechanism

序号 NO.	公司件号 Part NO.	名称 PartName	零件描述 Description	数量 Number	
				JK-2030GHC-3Q	JK-2060GHC-3Q
G-1	14202018	压脚杆	Presser bar	1	1
G-2	14203024	压脚杆轴套	Presser bar bushing	1	1
G-3	13S530004	压力调节螺钉	Pressure Adjusting Screw	1	1
G-4	13S516003	压力调节螺钉锁紧螺母	Nut for Pressure Adjusting Screw	1	1
G-5	13S530005	小压脚调节螺钉	Sub Pressure Adjusting Screw	1	1
G-6	14227012	调压簧	Pressure Adjusting Spring	1	1
G-7	13S27012	小压脚调节螺钉簧	Sub Pressure Adjusting Spring	1	1
G-8	14216002	小压脚	Sub Press Foot	1	1
G-9	13S511030	小压脚螺钉	Screw(9/64" n=40)	1	1
G-10	14209010	压脚杆导架	Presser Bar Bracket	1	1
G-11	13S515003	压脚杆导架螺钉	Screw(15/64" n=28)	1	1
G-12	14213009	大线勾螺母	Thread Guide Plate	1	1
G-13	401S1031	大线勾螺母	Screw(11/64" n=40)	1	1
G-14	14216003	压脚板手	Presser Bar Lifter	1	1
G-15	409S15004	压脚板手螺钉	Screw(M6)	2	2
G-16	14202019	压脚板手轴	Presser Bar Lifter Shaft	1	1
G-17	14222018	压脚板手轴O型圈	O-Ring for G-16	1	1
G-18	H05013	压脚板手轴轴套	E-Ring for G-16	1	1
G-19	14227014	压脚板手轴衬套	Torsion Spring for G-14	1	1
G-20	14209011	压脚板手轴衬套	Spring for G-17	1	1
G-21	13S515004	压脚板手轴衬套	Screw(1/4" n=40)	1	1
G-22	14212036	膝控制提升杆(左)	Knee control lifting Lever (left)	1	1
G-23	14212037	膝控制提升杆(右)	Knee Control lifting Lever (right)	1	1
G-24	14212038	松线凸轮板	Loose WIRE CAM Plate	1	1
G-25	402S11003	膝控制提升杆左螺钉	Screw(11/64" n=40)	1	1
G-26	14212039	松线板组件	Fine Board components	1	1
G-26-1	14212038	松线板板	Fine Board floor	1	1
G-26-2	14202031	松线板连接轴	Loose wire connection shaft	1	1
G-27	14226013	支轴销轴	Pivot PIN SHAFT	1	1
G-28	H05013	支轴销轴轴套	E-Ring for G-27(05)	1	1
G-29	12S515003	支轴销轴轴套	Screw(11/64" n=40)	1	1
G-30	H05033	钢绳上开口挡圈	E-Ring for G-24-1(08)	1	1
G-31	14227015	钢绳上挡簧	Spring for G-26	1	1
G-32	14220020	压脚提升杆轴套(左)轴套	Washer for G-32	1	1
G-33	41278005	支轴轴套轴套	Washer for G-32	1	1
G-34	H05006	支轴轴套轴套	E-Ring for G-32(05)	1	1
G-35	14212044	膝控制提升杆	Presser Bar Lifting Link Connecting Stick	1	1
G-36-1	13S511027	膝控制提升杆轴套轴套	Hinge Screw for Presser Bar Connecting Stick	1	1
G-36-2	142S11052	膝控制提升杆轴套轴套	Hinge Screw for Presser Bar Connecting Stick	1	1
G-37	14212045	膝控制提升杆(右)	Knee Lifting Link	1	1
G-38	142S11053	膝控制提升杆(右)螺钉	Hinge Screw for G-37	1	1
G-39	14227016	膝控制提升杆(右)轴套	Spring for G-37	1	1
G-40	14226014	拉簧上钩销	Connecting Screw for G-39	1	1
G-41	13S26005	拉簧上钩销	Holder for G-39	1	1
G-42	14226016	限位销	Stopper Pin for G-20	1	1
G-43	14212046	抬压脚顶杆	Ass' Lift Bar Stick's y	1	1
G-44	14213010	松线板轴套	Tension Release Cable Ass'y	1	1
G-46	14212047	松线板轴套轴套	Tension Release Cable Holder(U)	1	1
G-47	101S11005	压脚提升杆轴套轴套	Screw(9/64" n=40)	2	2
G-48	142				