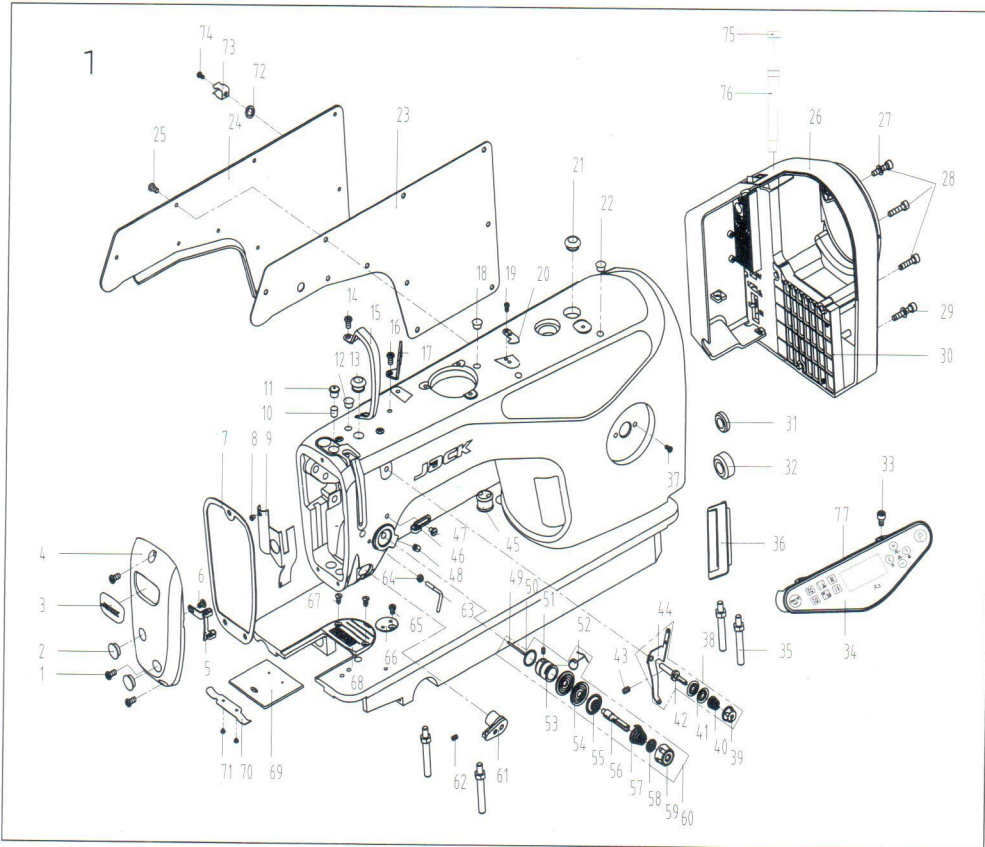


JACK 杰克

快速服务 100%

A3系列 A3 Series

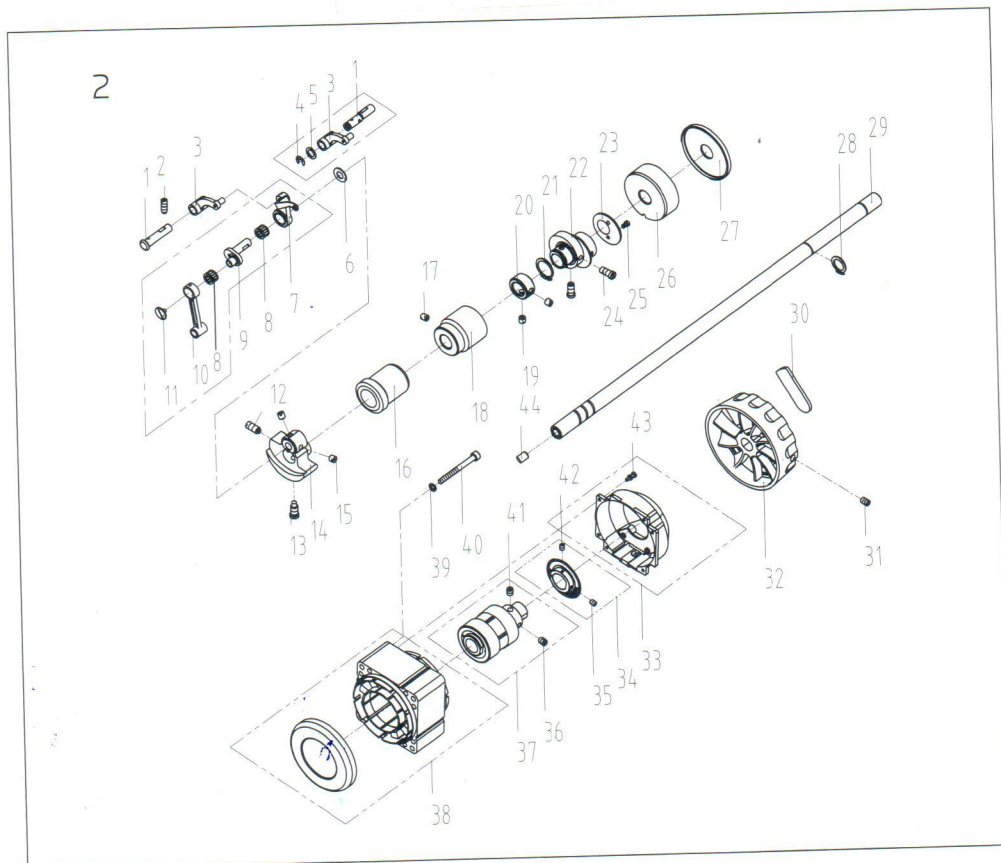


1. 机壳、外装分组件/Machine Frame & Miscellaneous Cover Components

序号NO.	公司件号	Part NO.	名称	PartName	零件描述	Description	数量	Number
1	101S11001		后窗板螺钉SM3/16"×28 L=9		Screw SM3/16"×28 L=9		3	3
2	10122003		面板调节孔塞		Rubber plug		2	2
3	13837002		商标牌		Head card		1	1
4	302591		面板(喷漆)		Face plate asm		1	1
5	13813005		左线钩		Thread guide left		1	1
6	101S11007		右线钩螺钉SM11/64"×40 L=6		Screw SM11/64"×40 L=6		1	1
7	13822006		面板垫		Face plate gasket		1	1
8	101S11027		防油板螺钉SM1/8"×44 L=3.4		Screw SM1/8"×44 L=3.4		1	1
9	10412007		面部防油板		Face oil shield asm.		1	1
	11412082		面部防油板(厚料)		Face oil shield asm.			1
10	10123002		针杆上毡塞		Rubber plug		1	1
11	10122013		针杆上衬套孔塞		Rubber plug		1	1
12	10122005		挑线连杆销螺孔塞		Rubber plug		1	1
13	10122004		针杆曲柄螺孔塞		Rubber plug		1	1
14	101S11004		挑线杆护罩螺钉SM3/16"×28 L=7		Screw SM3/16"×28 L=7		1	1
15	13812018		挑线杆护罩		Thread take-up lever cover		1	1
16	101S11004		挑线杆护罩螺钉SM3/16"×28 L=7		Screw SM3/16"×28 L=7		1	1
17	13512004		三孔线勾		3-hole thread guide		1	1
18	10122005		挑线连杆销螺孔塞		Rubber plug		1	1
19	11451001		割线刀螺钉SM9/64"×40 L=6		Screw SM9/64"×40 L=6		2	2
20	11419001		割线刀		Knife		1	1
21	20722002		油塞		Rubber plug		1	1
22	13822001		操作屏孔塞		Rubber plug		2	2
23	13822007		后窗板垫		Side plate gasket		1	1
24	302592		后窗板(喷漆)		Side plate		1	1
25	101S11001		后窗板螺钉SM3/16"×28 L=9		Screw SM3/16"×28 L=9		11	11
26	1381103500		一体机电控罩组件(鲍麦克斯)		Electronic control box		1	1
27	W01009		GB/T97.1-1985垫圈 5		Washer 5		2	2
28	114513001		JK-直驱电机螺钉M5×20		Screw M5×20		3	3
29	114530001		螺拴(内六角)M5×25		Screw M5×25		1	1
30	13833024		一体机电控组件(琦星)		Electronic control box		1	1
	13833042		一体机电控组件(鲍麦克斯)		Electronic control box		1	1
31	10122006		送料调节器孔塞		Rubber plug		1	1
32	10122007		下轴工艺孔塞		Rubber plug		1	1
33	138505001		操作面板螺钉		Screw		2	2
34	13833018		一体机电控面板组件(琦星)		Control panel,qixing		1	1
	13833041		一体机电控面板组件(鲍麦克斯)		Control panel,powermax		1	1
35	101S12001		底板支柱		Machine head stud		4	4
36	13822002		装饰条		Decorative article		1	1
37	101S11004		螺钉		Screw		2	2

1. 机壳、外装分组件/Machine Frame & Miscellaneous Cover Components

序号NO.	公司件号 Part NO.	名称 PartName	零件描述 Description	数量	Number
1	101511001	后窗板螺钉SM3/16"x28 L=9	Screw SM3/16"x28 L=9	3	3
2	10122003	面板调节孔螺塞	Rubber plug	2	2
3	13837002	商标牌	Head card	1	1
4	302591	面板(喷漆)	Face plate asm	1	1
5	13813005	左线钩	Thread guide left	1	1
6	101511007	右线钩螺钉SM11/64"x40 L=6	Screw SM11/64"x40 L=6	1	1
7	13822006	面板垫	Face plate gasket	1	1
8	101511027	防油板螺钉SM1/8"x44 L=3.4	Screw SM1/8"x44 L=3.4	1	1
9	10412007	面部防油板	Face oil shield asm.	1	1
	11412082	面部防油板(厚料)	Face oil shield asm.		
10	10123002	针杆上毡塞	Rubber plug	1	1
11	10122013	针杆上衬套孔塞	Rubber plug	1	1
12	10122005	挑线连杆销螺孔塞	Rubber plug	1	1
13	10122004	挑线杆柄螺孔塞	Rubber plug	1	1
14	101511004	挑线杆护罩螺钉SM3/16"x28 L=7	Screw SM3/16"x28 L=7	1	1
15	13812018	挑线杆防护罩	Thread take-up lever cover	1	1
16	101511004	挑线杆护罩螺钉SM3/16"x28 L=7	Screw SM3/16"x28 L=7	1	1
17	13512004	三孔线钩	3-hole thread guide	1	1
18	10122005	挑线连杆销螺孔塞	Rubber plug	1	1
19	114511015	割线刀螺钉SM9/64"x40 L=6	Screw SM9/64"x40 L=6	2	2
20	11419001	割线刀	Knife	1	1
21	20722002	油塞	Rubber plug	1	1
22	13822001	操作屏孔塞	Rubber plug	2	2
23	13822007	后窗板垫	Side plate gasket	1	1
24	302592	后窗板(喷漆)	Side plate	1	1
25	101511001	后窗板螺钉SM3/16"x28 L=9	Screw SM3/16"x28 L=9	11	11
26	1381103500	一体机电控罩壳组件(鲍麦克斯)	Electronic control box	1	1
27	W01009	GB/T97.1-1985垫圈 5	Washer 5	2	2
28	114513001	JK-直驱电机螺钉M5x20	Screw M5x20	3	3
29	114530001	螺栓(内六角)M5x25	Screw M5x25	1	1
30	13833024	一体机电控组件(琦星)	Electronic control box	1	1
	13833042	一体机电控组件(鲍麦克斯)	Electronic control box	1	1
31	10122006	送料调节器孔塞	Rubber plug	1	1
32	10122007	下轴工艺孔塞	Rubber plug	1	1
33	138505001	操作面板螺钉	Screw	2	2
34	13833018	一体机电控面板组件(琦星)	Control panel,qixing	1	1
	13833041	一体机电控面板组件(鲍麦克斯)	Control panel,powermax	1	1
35	101512001	底板支柱	Machine head stud	4	4
36	13822002	装饰条	Decorative article	1	1
37	101511004	螺钉	Screw	2	2
38	1381300400	小夹线器组件	Thread tension asm.	1	1
39	138516019	小夹线器螺母	Thread tension nut	1	1
40	11227001	小夹线器弹簧	Thread tension spring	1	1
41	11212004	小夹线板	Thread tension disk	2	2
42	13810008	小夹线器螺母	Thread tension post	1	1
43	138508006	小夹线器固定螺钉SM3/16"x28 L=7	Screw SM3/16"x28 L=7	1	1
44	13812066	过线板	Thread tension guide plate	1	1
45	11222001	橡皮塞(双孔)	Rubber plug	1	1
46	10113004	右线钩	Thread guide right	1	1
47	101511007	右线钩螺钉SM11/64"x40 L=6	Screw SM11/64"x40 L=6	1	1
48	101515010	左销螺钉SM15/64"x28 L=10.5	Screw SM15/64"x28 L=10.5	1	1
49	10126002	松线钉	Tension release pin Rubber ring	1	1
50	10122014	挑线簧调节座O型圈	ring	1	1
51	101515005	夹线紧固螺钉SM9/64"x40 L=5.5	Screw SM9/64"x40 L=5.5	1	1
52	10127001	挑线簧	Thread take-up spring	1	1
	10127031	挑线簧(厚料)	Thread take-up spring		
53	10103011	挑线簧调节座	Thread tension base Thread	1	1
54	10112005	夹线板	tension disk	2	2
55	10112006	松线板	Disk stopper	1	1
56	101530002	夹线螺钉	Thread tension post Thread	1	1
57	10127002	夹线弹簧	tension spring A Thread	1	1
	11427050	夹线弹簧(厚料)	tension spring A Thread		
58	10112007	夹线制动板	disk rotating stopper	1	1
59	138516013	夹线螺母	Thread tension nut	1	1
60	1381300500	夹线器组件	Thread tension asm. Thread	1	1
	1381300700	夹线器组件(厚)	tension asm.		
61	1383002700	电子夹线器组件	Nest less e-device	1	1
62	S10008	凹端紧定螺钉M4X6	Screw M4X6	1	1
63	11413011	固定式缓线钩	Thread guide	1	1
64	401516001	螺母SM9/64"x40	Nut SM9/64"x40	1	1
65	138511002	卷边器座螺钉SM11/64"x40 L=5.5	Screw SM11/64"x40 L=5.5	1	1
66	13812019	卷边器座	Ruler stop seat	1	1
67	104517002	针板螺钉(进口) SM11/64"x40	Screw SM11/64"x40 Needle	2	2
68	11414006	定做专用针板(扩大缝纫范围)	plate	1	1
	11315001	针板(兄弟款)	Needle plate		
69	10115002	推板	Slide plate	1	1
70	10127009	推板簧	Slide plate spring	1	1
71	101511019	推板簧螺钉SM3/32"x56 L=2	Screw SM3/32"x56 L=2	2	2
72	10128016	螺纹销橡胶垫圈(薄)	Washer	1	1
73	13812007	卡簧	Buckle	1	1
74	S04021	螺钉	Screw	1	1
75	12922015	橡皮塞	Rubber plug	1	1
76	13826009	罩壳台阶销	Pin	1	1
77	14011002	面板座(亚克力)	Panel seat	1	1

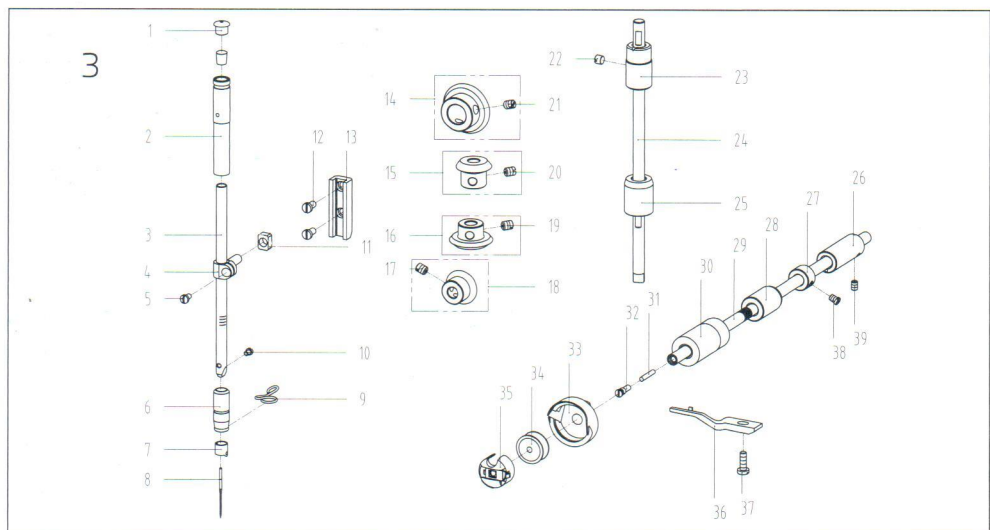


2. 上轴挑线分组件/Main Shaft & Thread Take-up Components

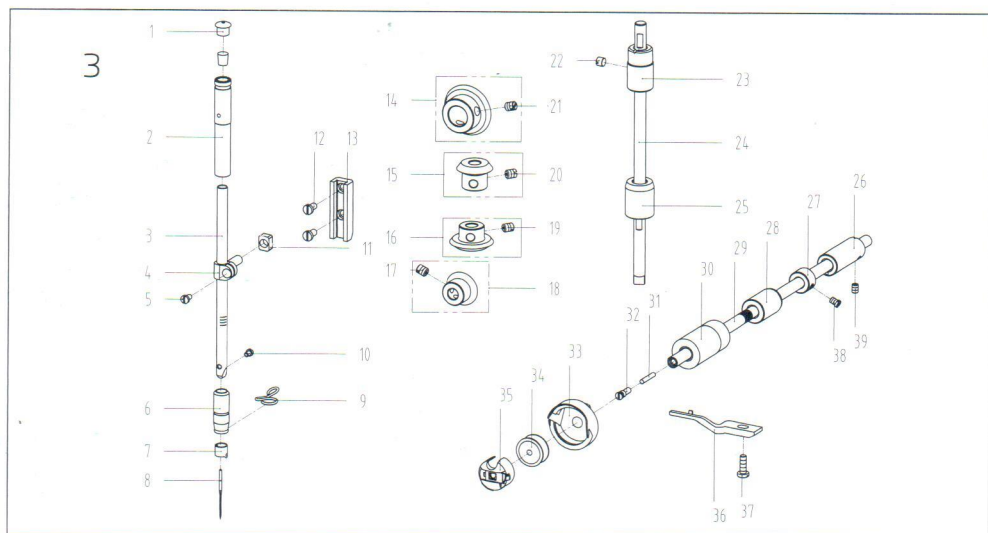
序号NO.	公司件号	Part NO.	名称	PartName	零件描述	Description	数量	Number
1	10126001		挑线连杆销 (厚料)		Thread take-up connecting rod pin		1	1
	11326013		挑线连杆销		Thread take-up connecting rod pin		1	1
2	101515001		上轮螺钉 SM15/64"x28 L=15		Screw SM15/64"x28 L=15		1	1
3	10105001		挑线连杆 (厚料)		Thread take-up connecting rod		1	1
	11305010		挑线连杆		Thread take-up connecting rod		1	1
4	H05013		GB/T896-1986挡圈		Snap ring		1	1
5	11328010		垫片		washer		1	1
6	10112003		针杆曲柄护板		Needle bar crank protecting plate		1	1
7	1013800100		挑线杆分组件		Thread take-up lever asm.		1	1
	1133800200		挑线杆组件 (厚料)		Thread take-up lever asm.		1	1
8	10124001		挑线杆滚针轴承		Needle bearing		2	2
9	11310012		挑线曲柄分部件		Thread take-up crank		1	1
	101000400		挑线曲柄分部件 (厚料)		Thread take-up crank		1	1
10	10105002		针杆连杆		Needle bar connecting rod		1	1
11	101517001		挑线曲柄螺钉 (左旋)		Screw SM9/32"x28 L=16		1	1
	101515004		针杆曲柄紧固螺钉 SM9/32"x28 L=16		Screw SM9/32"x28 L=16		1	1
13	101511003		针杆曲柄定位螺钉 SM9/32"x28 L=16		Screw SM9/32"x28 L=16		1	1
14	10404001		针杆曲柄		Needle bar crank		1	1
	11404035		针杆曲柄 (厚料)		Needle bar crank		1	1
15	101515002		送料轴挡圈螺钉 SM1/4"x40 L=6		Screw SM1/4"x40 L=6		2	2
16	1140300200		上轴前轴套组件		Main shaft bushing front		1	1
17	101515006		夹线器螺钉 SM15/64"x28 L=7		Screw SM15/64"x28 L=7		1	1
18	12203002		主轴中轴套		Main shaft bushing mid		1	1
19	101514001		上轴中套挡圈螺钉		Screw		2	2
20	10108001		上轴挡圈		Main shaft thrust collar		1	1
21	H03002		挡圈20		Snap ring 20		1	1
22	11310014		送料偏心轮		Feed eccentric cam		1	1
	400006		送料偏心轮 (厚料)		Feed eccentric cam		1	1
	10112017		送料偏心轮盖板		Cover plate		1	1
23			送料偏心轮螺钉 SM1/4"x40 L=13		Screw SM1/4"x40 L=13		2	2

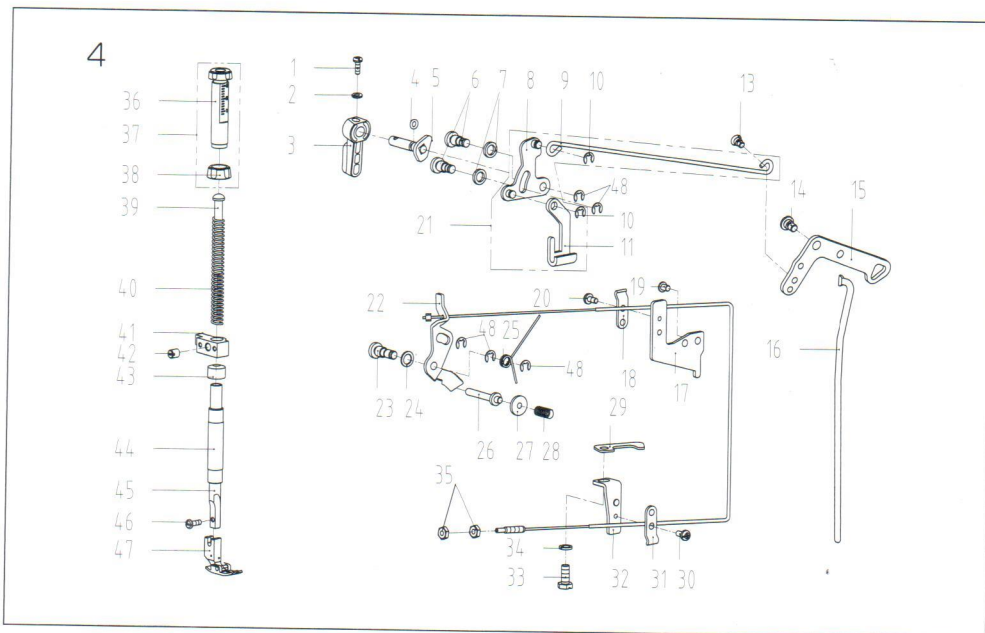
2. 上轴挑线分组件/Main Shaft & Thread Take-up Components

序号NO.	公司件号 Part NO.	名称 PartName	零件描述 Description	数量 Number
1	10126001 11326013	挑线连杆销 (厚料) 挑线连杆销	Thread take-up connecting rod pin Thread take-up connecting rod pin	1
2	101515001	上轮螺钉 SM15/64"x28 L=15	Screw SM15/64"x28 L=15	1
3	10105001 11305010	挑线连杆 (厚料) 挑线连杆	Thread take-up connecting rod Thread take-up connecting rod	1
4	H05013	GB/T896-1986挡圈	Snap ring	1
5	11328010	垫片	washer	1
6	10112003	针杆曲柄护板	Needle bar crank protecting plate	1
7	1013800100 1133800200	挑线杆分组件 挑线杆组件 (厚料)	Thread take-up lever asm. Thread take-up lever asm.	1
8	10124001	挑线杆滚针轴承	Needle bearing	2
9	11310012 1011000400	挑线曲柄分部件 挑线曲柄分部件 (厚料)	Thread take-up crank Thread take-up crank	1
10	10105002	针杆连杆	Needle bar connecting rod	1
11	101517001	挑线曲柄螺钉 (左旋)	Screw	1
12	101515004	针杆曲柄紧固螺钉 SM9/32"x28 L=16	Screw SM9/32"x28 L=16	1
13	101511003	针杆曲柄定位螺钉 SM9/32"x28 L=16	Screw SM9/32"x28 L=16	1
14	10404001 11404035	针杆曲柄 针杆曲柄 (厚料)	Needle bar crank Needle bar crank	1
15	101515002	送料轴挡圈螺钉 SM1/4"x40 L=6	Screw SM1/4"x40 L=6	2
16	1140300200	上轴前轴套组件	Main shaft bushing front	1
17	1015150006	夹线器螺钉 SM15/64"x28 L=7	Screw SM15/64"x28 L=7	1
18	12203002	主轴中轴套	Main shaft bushing mid	1
19	101514001	上轴中套挡圈螺钉	Screw	2
20	10108001	上轴挡圈	Main shaft thrust collar	1
21	H03002	挡圈20	Snap ring 20	1
22	11310014 400006	送料偏心轮 送料偏心轮(厚料)	Feed eccentric cam Feed eccentric cam	1
23	10112017	送料偏心轮盖板	Cover plate	1
24	101511013	送料偏心轮螺钉 SM1/4"x40 L=13	Screw SM1/4"x40 L=13	2
25	113511003	护针片螺钉 SM9/64"x40 L=5	Screw SM9/64"x40 L=5	2
26	13803002	上轴后轴套	main shaft bushing back	1
27	10122105	上轴后套挡油封	Oil seal	1
28	H03001	GB/T894.1-1986挡圈15	Snap ring 15	1
29	13802060	上轴	Main shaft	1
30	13811021	手轮贴条	Handwheel lable	1
31	S10009	螺钉	Screw	2
32	302830	手轮 (喷漆)	Handwheel	1
33	1383300600 1383300700	电机罩壳组件 (配琦星) 电机罩壳组件 (配鲍麦克斯)	Motor cover asm.qixing Motor cover asm.powermax	1
34	1383300500 1383300900	电机光栅组件 (配琦星) 电机光栅组件 (配鲍麦)	Motor grating sensor asm Motor grating sensor asm	1
35	GB/T77-2000	内六角平端紧定螺钉M3x4	Screw M3x4	1
36	GB/T77-2000	内六角平端紧定螺钉M6x6	Screw M6x6	1
37	1383300400	电机转子总成	Motor rotor	1
38	13833002 13833003	电机定子总成 (配琦星) 电机定子总成 (配鲍麦克斯)	Motor stator,qixing Motor stator,powermax	1
39	GB/T93-1987	弹垫5	Spring washer 5	4
40	GB/T70.1-2000	内六角圆柱头螺钉M5x50 8.8级	Screw M5x50	4
41	GB/T78-2000	内六角锥端紧定螺钉M6x8	Screw M6x8	1
42	GB/T78-2000	内六角锥端紧定螺钉M3x4	Screw M3x4	1
43	GB/T9074.8	一字槽小盘头螺钉组合件M3x8	Screw	6
44	10122012	上轴孔塞	Rubber plug	1



序号NO.	公司件号	Part NO.	名称	PartName	零件描述	Description	数量	Number
1	10126001		挑线连杆销 (厚料)		Thread take-up connecting rod pin		1	1
	11326013		挑线连杆销		Thread take-up connecting rod pin		1	1
2	101515001		上轮螺钉 SM15/64"x28 L=15		Screw SM15/64"x28 L=15		1	1
3	10105001		挑线连杆 (厚料)		Thread take-up connecting rod		1	1
	11305010		挑线连杆		Thread take-up connecting rod		1	1
4	H05013		GB/T896-1986挡圈		Snap ring		1	1
5	11328010		垫片		washer		1	1
6	10112003		针杆曲柄护板		Needle bar crank protecting plate		1	1
7	1013800100		挑线杆组件		Thread take-up lever asm.		1	1
	1133800200		挑线杆组件 (厚料)		Thread take-up lever asm.		1	1
8	10124001		挑线杆滚针轴承		Needle bearing		2	2
9	11310012		挑线曲柄分部件		Thread take-up crank		1	1
	1011000400		挑线曲柄分部件 (厚料)		Thread take-up crank		1	1
10	10105002		针杆连杆		Needle bar connecting rod		1	1
11	101517001		挑线曲柄螺钉 (左旋)		Screw		1	1
12	101515004		针杆曲柄紧固螺钉 SM9/32"x28 L=16		Screw SM9/32"x28 L=16		1	1
13	101511003		针杆曲柄定位螺钉SM9/32"x28 L=16		Screw SM9/32"x28 L=16		1	1
14	10404001		针杆曲柄		Needle bar crank		1	1
	11404035		针杆曲柄 (厚料)		Needle bar crank		1	1
15	11405002		送料轴挡圈螺钉SM1/4"x40 L=6		Screw SM1/4"x40 L=6		2	2
16	1140300200		上轴前轴套组件		Main shaft bushing front		1	1
17	101515006		夹线器螺钉SM15/64"x28 L=7		Screw SM15/64"x28 L=7		1	1
18	12203002		主轴中轴套		Main shaft bushing mid		1	1
19	101514001		上轴中套挡圈螺钉		Screw		2	2
20	10108001		上轴挡圈		Main shaft thrust collar		1	1
21	H03002		挡圈20		Snap ring 20		1	1
22	11310014		送料偏心轮		Feed eccentric cam		1	1
	400006		送料偏心轮(厚料)		Feed eccentric cam		1	1
23	10112017		送料偏心轮盖板		Cover plate		1	1
24	101511013		送料偏心轮螺钉 SM1/4"x40 L=13		Screw SM1/4"x40 L=13		2	2
25	113511003		护针片螺钉 SM9/64"x40 L=5		Screw SM9/64"x40 L=5		2	2
26	13803002		上轴后轴套		main shaft bushing back		1	1
27	10122105		上轴后套挡油油封		Oil seal		1	1
28	H03001		GB/T894.1-1986挡圈15		Snap ring 15		1	1
29	13802060		上轴		Main shaft		1	1
30	13811021		手轮贴条		Handwheel lable		1	1
31	S10009		螺钉		Screw		2	2
32	302830		手轮 (喷漆)		Handwheel		1	1
33	1383300600		电机罩壳组件 (配琦星)		Motor cover asm.qixing		1	1
	1383300700		电机罩壳组件 (配鲍麦克斯)		Motor cover asm.powermax		1	1
34	1383300500		电机光栅组件 (配琦星)		Motor grating sensor asm		1	1
	1383300900		电机光栅组件 (配鲍麦)		Motor grating sensor asm		1	1
35	GB/T77-2000		内六角平端紧定螺钉M3x4		Screw M3x4		1	1
36	GB/T77-2000		内六角平端紧定螺钉M6x6		Screw M6x6		1	1
37	1383300400		电机转子总成		Motor rotor		1	1
38	13833002		电机定子总成 (配琦星)		Motor stator,qixing		1	1
	13833003		电机定子总成 (配鲍麦克斯)		Motor stator.powermax		1	1
39	GB/T93-1987		弹垫5		Spring washer 5		4	4
40	GB/T70.1-2000		内六角圆柱头螺钉M5x50 8.8级		Screw M5x50		4	4
41	GB/T78-2000		内六角锥端紧定螺钉M6x8		Screw M6x8		1	1
42	GB/T78-2000		内六角锥端紧定螺钉M3x4		Screw M3x4		1	1
43	GB/T9074.8		一十字槽小盘头螺钉组合件M3x8		Screw		6	6
44	10122012		上轴孔塞		Rubber plug		1	1





4. 压料分组件/Presser Bar Components

序号NO.	公司件号	Part NO.	名称	PartName	零件描述	Description	数量	Number
1	10151010		压脚扳手螺钉SM9/64"x40 L=11		Screw SM9/64"x40 L=11		1	1
2	10128002		压脚扳手螺钉垫圈		Washer		1	1
3	13811029		压脚扳手		Hand lifter		1	1
4	001004		O型圈		Rubber ring		1	1
5	1381000200		压脚扳手凸轮部件		Hand lifter cam asm.		1	1
6	101520001		前杠杆螺纹销		Screw		2	2
7	10128015		螺纹销橡胶垫圈(厚)		Washer		2	2
8	1011201100		抬压脚前杠杆部件		Lift front lever component		1	1
9	10112013		抬压脚拉杆		Knee lifter pull rod		1	1
10	H05003		GB/T896-1986挡圈 5		Snap ring		2	2
11	10112010		压脚升降板		Lifting plate		1	1
13	101520004		抬压脚拉杆螺钉SM3/16"x32		Hinge Screw SM3/16"x32		1	1
14	101520003		后杠杆轴位螺钉SM15/64"x28		Hinge screw SM15/64"x28		1	1
15	11312034		抬压脚后杠杆		Knee lifter back lever		1	1
16	13812015		抬压脚顶杆		Knee lifter connecting rod		1	1
17	11212009		松线导管上支架		Wire release bracket upper		1	1
18	11212008		松线导管压板		Wire release press plate		1	1
19	101511033		油管压板螺钉SM3/16"x28 L=5.8		Screw SM3/16"x28 L=5.8		1	1
20	113511004		松线导管压板螺钉M4x8		Screw M4x8		1	1
21	1011200100		抬压脚前杠杆组件		Knee lifter lever asm		1	1
22	1141206000		松线顶板组件		Wire release plate asm		1	1
23	101520002		松线顶板螺纹销		Wire release plate pin		1	1
24	10128016		螺纹销橡胶垫圈(薄)		Washer		1	1
25	11427009		松线顶板复位簧		Reset spring		1	1
26	11426020		松线辅钉		Thread release supporting pin		1	1
27	10128001		松线辅钉垫片		washer		1	1
28	10127003		松线辅钉弹簧		Spring		1	1
29	10112022		旋梭供油管压板		Tube press plate		1	1
30	113511004		松线导管压板螺钉M4x8		Screw M4x8		1	1
31	11212008		松线导管压板		Wire presser A		1	1
32	11312001		松线导管下支架		Wire release bracket lower		1	1
33	116530003		抬牙叉固定螺钉SM15/64"x28 L=14.5		Screw SM15/64"x28 L=14.5		1	1
34	W02004		弹性垫圈		Spring washer		1	1
35	113512001		螺母 SM3/16"x32		Nut SM3/16"x32		2	2
36	13811027		调压螺钉		Press regulating screw		1	1
37	1381102700		调压螺钉组件		Presser regulating screw nut asm.		1	1
38	13811028		调压螺母		Press regulating nut		1	1
39	10102003		调压导杆		Press regulating guide bar		1	1
40	11427033		调压簧		Press regulating spring		1	1
41	10409001		压杆导架		Presser bar guide bracket		1	1
42	101515007		压杆导架螺钉 SM1/4"x40 L=8		Screw SM1/4"x40 L=8		1	1
43	10122112		压杆防油套		Pressure bar oil cover		1	1
44	10103012		压杆衬套		Presser bar bushing,lower		1	1
45	10102004		压杆		Presser bar		1	1
46	101511009		活压脚螺钉 SM9/64"x40 L=10.5		Screw SM9/64"x40 L=10.5		1	1
47	1131600600		压脚组件		Presser foot asm		1	1
	1131600100		压脚组件(厚)		Presser foot asm		1	1
48	11329020		挡圈 5		Snap ring		5	5

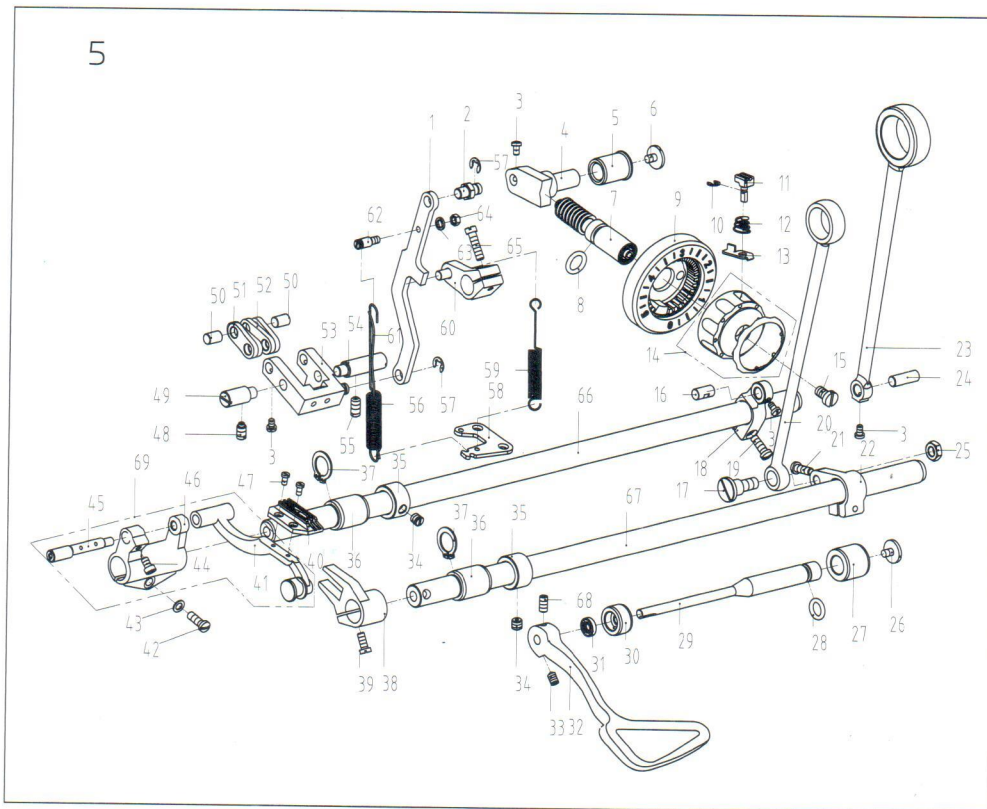
3. 针杆、竖轴、下轴部件/Needle bar,Upright Shaft & Hook Driving Shaft Components

序号NO.	公司件号	Part NO.	名称	PartName	零件描述	Description	数量	Number
1	10122013		针杆上衬套孔塞		Rubber plug		1	1
2	10103009		针杆上衬套		Needle bar bushing upper		1	1
3	11402039		针杆		Needle bar		1	1
	10102021		针杆(厚料)		Needle bar		1	1
4	10138002		针杆连接柱		Needle bar connecting rod		1	1
5	10151005		螺钉 SM9/64"x40 L=6		Screw SM9/64"x40 L=6		1	1

3	101520004	抬压脚踏杆螺钉SM3/16"x32	Hinge Screw SM3/16"x32	1	1
4	101520003	后杆轴位螺钉SM15/64"x28	Hinge screw SM15/64"x28	1	1
15	10120034	抬压脚踏杆	Knee lifter back lever	1	1
16	10120015	抬压脚踏杆	Knee lifter connecting rod	1	1
17	10120009	松线导管上支架	Wire release bracket upper	1	1
18	10120008	松线导管压板	Wire release press plate	1	1
19	101510033	油管压板螺钉SM3/16"x28 L=5.8	Screw SM3/16"x28 L=5.8	1	1
20	101510004	松线导管压板螺钉M4x8	Screw M4x8	1	1
21	1011200100	抬压脚踏杆杆组件	Knee lifter lever asm	1	1
22	101206000	松线顶板组件	Wire release plate asm	1	1
23	101520002	松线顶板螺纹销	Wire release plate pin	1	1
24	10128016	螺纹销橡胶垫圈(薄)	Washer	1	1
25	101427009	松线顶板复位簧	Reset spring	1	1
26	101426020	松线轴钉	Thread release supporting pin	1	1
27	10128001	松线轴钉垫片	washer	1	1
28	10127003	松线轴钉簧	Spring	1	1
29	10112022	旋梭供油管压板	Tube press plate	1	1
30	101510004	松线导管压板螺钉M4x8	Screw M4x8	1	1
31	10120008	松线导管压板	Wire presser A	1	1
32	10120001	松线导管下支架	Wire release bracket lower	1	1
33	1016530003	抬牙叉固定螺钉SM15/64"x28 L=14.5	Screw SM15/64"x28 L=14.5	1	1
34	10120004	弹性垫圈	Spring washer	1	1
35	101512001	螺母 SM3/16"x32	Nut SM3/16"x32	2	2
36	10181027	调压螺钉	Press regulating screw	1	1
37	1018102700	调压螺钉组件	Presser regulating screw nut asm.	1	1
38	10181028	调压螺母	Press regulating nut	1	1
39	10102003	调压导杆	Press regulating guide bar	1	1
40	101427033	调压簧	Press regulating spring	1	1
41	10409001	压杆导架	Presser bar guide bracket	1	1
42	101515007	压杆导架螺钉 SM1/4"x40 L=8	Screw SM1/4"x40 L=8	1	1
43	10122112	压杆防油套	Pressure bar oil cover	1	1
44	10103012	压杆衬套	Presser bar bushing,lower	1	1
45	10102004	压杆	Presser bar	1	1
46	101511009	活压脚螺钉 SM9/64"x40 L=10.5	Screw SM9/64"x40 L=10.5	1	1
47	10131600600	压脚组件	Presser foot asm	1	1
48	10131600100	压脚组件(厚)	Presser foot asm	1	1
	101329020	挡圈 5	Snap ring	5	5

3. 针杆、竖轴、下轴部件/Needle bar,Upright Shaft & Hook Driving Shaft Components

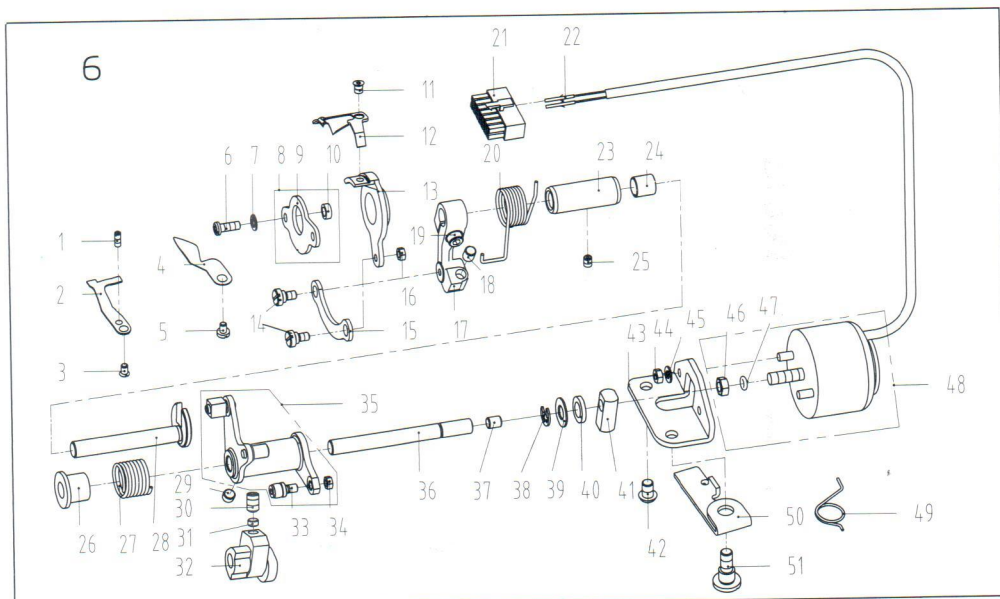
序号NO	公司件号	Part NO.	名称	PartName	零件描述	Description	数量	Number
1	10122013		针杆上衬套孔塞		Rubber plug		1	1
2	10103009		针杆上衬套		Needle bar bushing upper		1	1
3	101402039		针杆		Needle bar		1	1
	10102021		针杆(厚料)		Needle bar		1	1
4	10138002		针杆连接柱		Needle bar connecting rod		1	1
5	101511005		螺钉 SM9/64"x40 L=6		Screw SM9/64"x40 L=6		1	1
6	10103010		针杆下衬套		Needle bar bushing lower		1	1
	101303023		针杆下衬套(厚料)		Needle bar bushing lower		1	1
7	10113002		针杆线勾		Needle bar thread guide		1	1
	10142063		针杆线勾(厚料)		Needle bar thread guide		1	1
8	10117001		机针(14#)		Needle		1	1
	10117002		机针DPx5#21(厚料)		Needle		1	1
9	10413001		针杆下衬套线勾		Lower bushing thread guide		1	1
	10113009		针杆下轴套线勾(厚料)		Lower bushing thread guide		1	1
10	104511006		支针螺钉(进口) SM1/8"x44 L=4.5		Screw SM1/8"x44 L=4.5		1	1
11	10109001		针杆连接柱滑块		Slide block		1	1
12	101511008		滑块导轨螺钉SM11/64"x40 L=8		Screw SM11/64"x40 L=8		2	2
13	10109002		针杆接头滑块		Needle bar guide		1	1
14	10425004		上轴伞齿轮		Upper shaft bevel gear		1	1
15	10425003		竖轴上伞齿轮		Upper small bevel gear asm		1	1
16	10425002		竖轴下伞齿轮		lower large bevel gear asm		1	1
17	101515014		齿轮螺钉SM1/4"x40 L=7		Screw SM1/4"x40 L=7		2	2
18	10425001		下轴伞齿轮		Hook drive shaft bevel gear		1	1
19	101515014		齿轮螺钉SM1/4"x40 L=7		Screw SM1/4"x40 L=7		2	2
20	101515014		齿轮螺钉SM1/4"x40 L=7		Screw SM1/4"x40 L=7		2	2
21	101515014		齿轮螺钉SM1/4"x40 L=7		Screw SM1/4"x40 L=7		2	2
22	101511036		一字开槽紧定螺钉SM15/64"x28 L=4.7		Screw SM15/64"x28 L=4.7		1	1
23	10403020		竖轴上轴套		Upright shaft bushing upper		1	1
24	10102007		竖轴		Upright shaft		1	1
25	10403013		竖轴下轴套		Upright shaft bushing lower		1	1
26	10403019		下轴后轴套		Hook driving shaft bushing back		1	1
27	10108002		下轴挡圈		Hook driving shaft snap ring		1	1
28	101303021		下轴中套		Lower shaft middle bushing		1	1
29	101304003		下轴		Hook driving shaft		1	1
30	101303001		下轴前轴套		Hook driving shaft bushing front		1	1
31	10123009		下轴限油芯		Oil wick		1	1
32	101530005		下轴限油螺钉		set screw		1	1
33	10148007		精品旋梭(国产)		Hook asm (China)		1	1
	10148002		德盛有尾巴厚料旋梭(方德款)		Hook asm (China Desheng)		1	1
34	10118003		梭心		Bobbin		1	1
35	101218504		梭壳		Bobbin case asm.		1	1
36	10112016		旋梭定位钩		Finger postioner		1	1
	10112032		旋梭定位钩(厚料)		Finger postioner		1	1
37	1016511005		牙架曲柄螺钉 SM11/64"x40 L=13		Screw SM11/64"x40 L=13 Screw		1	1
38	101511012		下轴挡圈螺钉 SM11/64"x40 L=4.8下		SM11/64"x40 L=4.8 Screw		2	2
39	101314020		轴后套螺钉SM11/64"x40 L=6		SM11/64"x40 L=6		1	1



5. 送料分组件/Feed Mechanism Components

序号NO.	公司件号	Part NO.	名称	PartName	零件描述	Description	数量	Number
1	11405015		倒送料连杆		Reverse feed connecting rod		1	1
2	11426021		倒送料连杆销		Connecting rod pin		1	1
3	101511005		螺钉 SM9/64"x40 L=6		Screw SM9/64"x40 L=6		6	6
4	11401015		送料调节器		Feed regulator		1	1
5	11403043		送料调节器轴套		Feed regulator bushing		1	1
6	101511023		送料调节器轴端螺钉SM3/16"x28 L=6.5		Screw SM3/16"x28 L=6.5		1	1
7	13826005		标盘螺柱		Feed regulator stud		1	1
8	10122016		送料调节螺钉O形圈		Rubber ring		1	1
9	13811008		固定夹盘		Fixing dial plate		1	1
10	H05018		GB/T896-1986挡圈3.5		Snap ring 3.5		1	1
11	13811009		标盘按钮		Dial plate button		1	1
12	13827002		按钮复位簧		Spring		1	1
13	13812010		上限位片		Upper limit patch		1	1
14	1381100700		标盘旋钮组件		Knob component		1	1
15	101511022		送料距旋钮螺钉SM3/16"x28 L=18		Screw SM3/16"x28 L=18		1	1
16	10126011		送料曲柄销		Feed rocker crank pin		1	1
17	101520005		抬牙连杆轴位螺钉 SM9/32"x28		hinge Screw SM9/32"x28		1	1
18	10104002		送料曲柄		Feed rocker shaft crank		1	1
19	101511016		送料曲柄螺钉SM3/16"x28 L=14		Screw SM3/16"x28 L=14		1	1
20	400093		抬牙连杆		Connecting rod		1	1
21	101511016		送料曲柄螺钉 SM3/16"x28 L=14		Screw SM3/16"x28 L=14		1	1
22	10104004		抬牙后曲柄		Feed driving shaft crank		1	1
23	400091		送料连杆		Rocker shaft connecting rod		1	1
24	10126006		送料连杆销		Connecting rod pin		1	1
25	101516003		抬牙连杆轴位螺母 SM9/32"x28		Hinge Screw SM9/32"x28		1	1
26	101511023		送料调节器轴端螺钉SM3/16"x28 L=6.5		Screw SM3/16"x28 L=6.5		1	1
27	13803021		倒送料轴后轴套		Reverse feed shaft bushing back		1	1
28	13822003		倒送料轴O形圈		Rubber ring		1	1
29	13802010		倒缝送料轴		Reverse feed shaft		1	1
30	13803020		倒送料轴中套		Reverse feed shaft bushing mid		1	1
31	13822056		倒送料轴中套油封		Mid bushing oil seal		1	1
32	302665		倒缝扳手(喷漆)		Reverse feed lever asm		1	1
33	138510010		内六角锥端紧定螺钉M5X8		Screw M5X8		1	1
34	101515002		送料轴挡圈螺钉SM1/4"x40 L=6		Screw SM1/4"x40 L=6		4	4
35	10108003		送料轴挡圈		Feed rocker shaft snap ring		2	2
36	10403015		轴套		Bushing		2	2
37	H03001		GB/T894.1-1986挡圈 15		Snap ring 15		2	2
38	10104003		抬牙叉形曲柄		Driving shaft crank		1	
	10804003		抬牙叉形曲柄		Driving shaft crank			1
39	101511020		抬牙叉形曲柄螺钉SM11/64"x40 L=10.5		Screw SM11/64"x40 L=10.5		1	1
40	11414002		送料牙		Feed dog		1	
	11314001		送料牙(兄弟款)		Feed dog(Brother type)			1
41	470060		牙架		Feed bar asm.		1	1
42	101511016		送料曲柄螺钉SM3/16"x28 L=14		Screw SM3/16"x28 L=14		1	1
43	10128003		牙架座螺钉垫圈		Washer		1	1
44	101511025		复位板螺钉SM11/64"x40 L=7		Screw SM11/64"x40 L=7		1	1
45	11326001						1	1

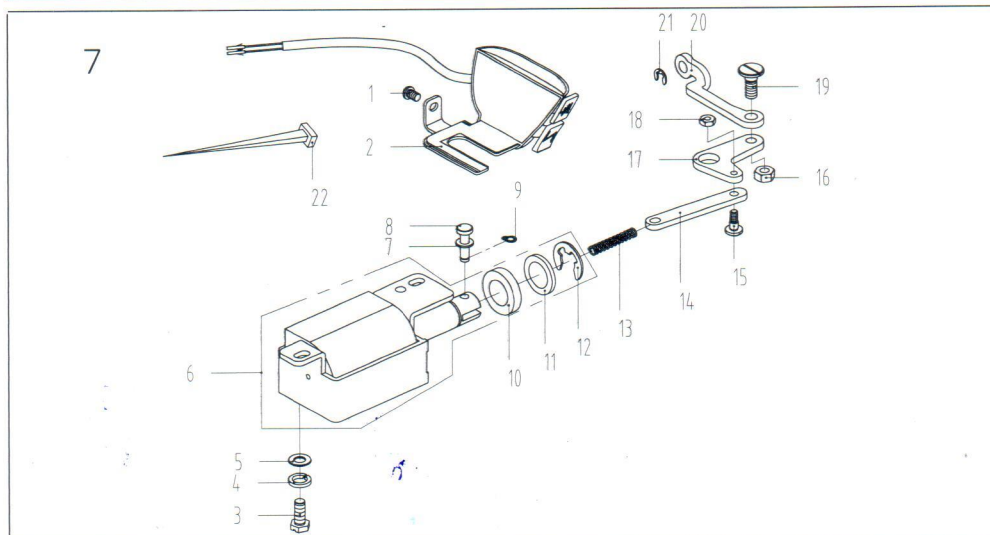
6	10151023	送料调节器轴端螺钉SM3/16"x28 L=6.5	Screw SM3/16"x28 L=6.5	1	1
7	13826005	标盘螺柱	Feed regulator stud	1	1
8	10122016	送料调节螺钉O形圈	Rubber ring	1	1
9	13811008	固定表盘	Fixing dial plate	1	1
10	H05018	GB/T896-1986挡圈3.5	Snap ring 3.5	1	1
11	13811009	标盘按钮	Dial plate button	1	1
12	13827002	按钮复位簧	Spring	1	1
13	13812010	上限位片	Upper limit patch	1	1
14	1381100700	标盘旋钮组件	Knob component	1	1
15	10151022	送料距旋扭螺钉SM3/16"x28 L=18	Screw SM3/16"x28 L=18	1	1
16	10126011	送料曲柄销	Feed rocker crank pin	1	1
17	101520005	抬牙连杆轴位螺钉 SM9/32"x28	hinge Screw SM9/32"x28	1	1
18	10104002	送料曲柄	Feed rocker shaft crank	1	1
19	10151016	送料曲柄螺钉SM3/16"x28 L=14	Screw SM3/16"x28 L=14	1	1
20	400093	抬牙连杆	Connecting rod	1	1
21	10151016	送料曲柄螺钉 SM3/16"x28 L=14	Screw SM3/16"x28 L=14	1	1
22	10104004	抬牙后曲柄	Feed driving shaft crank	1	1
23	400091	送料连杆	Rocker shaft connecting rod	1	1
24	10126006	送料连杆销	Connecting rod pin	1	1
25	101516003	抬牙连杆轴位螺母 SM9/32"x28	Hinge Screw SM9/32"x28	1	1
26	10151023	送料调节器轴端螺钉SM3/16"x28 L=6.5	Screw SM3/16"x28 L=6.5	1	1
27	13803021	倒送料轴后轴套	Reverse feed shaft bushing back	1	1
28	13822003	倒送料轴O形圈	Rubber ring	1	1
29	13802010	倒缝送料轴	Reverse feed shaft	1	1
30	13803020	倒送料轴中套	Reverse feed shaft bushing mid	1	1
31	13822056	倒送料轴中套油封	Mid bushing oil seal	1	1
32	302665	倒缝扳手(喷漆)	Reverse feed lever asm	1	1
33	138510010	内六角锥端锁定螺钉M5X8	Screw M5X8	1	1
34	101515002	送料轴挡圈螺钉SM1/4"x40 L=6	Screw SM1/4"x40 L=6	4	4
35	10108003	送料轴挡圈	Feed rocker shaft snap ring	2	2
36	10403015	轴套	Bushing	2	2
37	H03001	GB/T894.1-1986挡圈 15	Snap ring 15	2	2
38	10104003	抬牙叉形曲柄	Driving shaft crank	1	1
	10804003	抬牙叉形曲柄	Driving shaft crank		1
39	101511020	抬牙叉形柄螺钉SM11/64"x40 L=10.5	Screw SM11/64"x40 L=10.5	1	1
40	11414002	送料牙	Feed dog	1	1
41	11314001	送料牙(兄弟款)	Feed dog(Brother type)		1
42	470060	牙架	Feed bar asm.	1	1
43	101511016	送料曲柄螺钉SM3/16"x28 L=14	Screw SM3/16"x28 L=14	1	1
44	10128003	牙架座螺钉垫圈	Washer	1	1
45	101511025	复位板螺钉SM11/64"x40 L=7	Screw SM11/64"x40 L=7	1	1
46	11226001	牙架销	Feed bar pin	1	1
47	480095	牙架座	Feed bar bed.	1	1
48	101511018	送料牙螺钉 SM1/8"x44 L=6	Screw SM1/8"x44 L=6	2	2
49	101515010	左销螺钉 SM15/64"x28 L=10.5	Screw SM15/64"x28 L=10.5	1	1
50	10126009	送料摆动板左销	Left pin	1	1
51	10126007	短摆动板连杆销	Connecting pin	2	2
52	10109005	送料短摆动板	Feed short shaking plate	2	2
53	10109004	送料长摆动板	Feed long shaking plate	2	2
54	1120100200	送料摆动板座分部件	Feed shaking plate bed components	1	1
55	10126010	送料摆动板座右销	Right pin	1	1
56	113514010	左销螺钉SM15/64"x28 L=12	Screw SM15/64"x28 L=12	1	1
57	11427011	送料调节弹簧	Spring	1	1
58	11329020	挡圈5	Snap ring 5	2	2
59	13812081	拉簧固定板	Pull spring fixing plate	1	1
60	13827006	倒送料拉簧	Reverse feed pull spring	1	1
61	1140402700	倒送料曲柄组件	Feed reverse crank asm.	1	1
62	11321005	油管	Tube	1	1
63	114530007	弹簧悬置螺钉	Screw	1	1
64	W02015	GB/T93-1987 弹簧垫圈M4	Spring washer M4	1	1
65	114516004	螺母SM11/64"x40	Nut SM11/64"x40	1	1
66	S01102	螺钉 SM3/16"x28 L=18	Screw SM3/16"x28 L=18	1	1
67	10102008	送料轴	Feed rocker shaft	1	1
68	13802001	抬牙轴	Feed driving shaft	1	1
69	S10035	GB/T80-2000螺钉M5x8	Screw	1	1
70	400689	牙架组件(成品)	Feed bar asm.	1	1



6. 切线装置部件/Thread Trimmer Components

序号NO.	公司件号	Part NO.	名称	PartName	零件描述	Description	数量	Number
1	113515002		定刀调节螺钉SM1/8"x44 L=9.5		Screw SM1/8"x44 L=9.5		1	1
2	11319001		定刀		Secant knife		1	1
3	113517001		螺钉SM9/64"x40		Screw SM9/64"x40		1	1
4	11312003		护针片		Needle guard patch		1	1
5	201511009		螺钉SM9/64"x40 L=5.5		Screw SM9/64"x40 L=5.5		1	1
6	113511001		螺钉SM11/64"x40 L=12		Screw SM11/64"x40 L=12		2	2
7	10128003		牙架座螺钉垫圈		Washer		2	2
8	11312004		刀架压板组件		Knife bracket press component		1	1
9	11312032		偏心连杆		Eccentric connecting rod		1	1
10	11303012		短套		Short bushing		2	2
11	113517002		活动刀固定螺钉SM11/64"x40 L=4.4		Screw SM11/64"x40 L=4.4		2	2
12	11319002		活动刀(薄料长槽)		Moterial knife		1	
	11319003		活动刀(厚料长槽)		Moterial knife		1	1
13	11307001		剪线刀架		Knife bracket		1	1
14	113520001		连杆螺钉SM11/64"x40		hinge Screw SM11/64"x40		2	2
15	11312005		连杆		Connecting rod		1	1
16	114516004		螺母SM11/64"x40		Nut SM11/64"x40		1	1
17	11304001		曲柄		Crank		1	1
18	11322001		驱动曲柄止动块		Crank driver stopper block		1	1
19	505004		螺钉M5x14		Screw M5x14		1	1
20	11327001		弹簧		Spring		1	1
21	11230004		T4孔接线器		Plug		1	1
22	11230005		电线插针		Pin		1	1
23	11303003		切线轴套		Thread cutting shaft bushing		1	1
24	11503005		驱动曲柄轴衬套		Crank drive shaft bushing		1	1
25	113514002		螺钉SM11/64"x40 L=5.5		Screw SM11/64"x40 L=5.5		1	1
26	11322002		扭簧端盖		Spring cover		1	1
27	11327002		弹簧		Spring		1	1
28	11304002		切线凸轮曲柄轴		Crank shaft		1	1
29	116514003		针杆曲柄销定位螺钉SM1/4"x40 L=4.5		Screw SM1/4"x40 L=4.5		1	1
30	116514005		螺钉SM1/4"x40 L=10		Screw SM1/4"x40 L=10		2	2
31	11309030		凸轮顶柱		Push rod		2	2
32	11310004		凸轮		Cam		1	
	11310011		凸轮(厚料)		Cam		1	1
33	11324001		滚柱		Roolling pin		1	1
34	113516002		螺母SM11/64"x40		Nut SM11/64"x40		1	1
35	1130400500		剪线驱动组件		Thread trimmer drive asm.		1	1
36	11302002		轴		Shaft		1	1
37	11322001		驱动曲柄止动块		Positioning block		1	1
38	H05013		GB/T896-1986挡圈		Snap ring		1	1
39	10112003		针杆曲柄护板		Cunter weight protecting		1	1
40	11322003		电磁铁缓冲片		Solenoid cushion rubber		1	1
41	11309001		切线电磁铁顶销		Solenoid pin		1	1
42	101511026		油泵安装螺钉SM15/64"x28 L=9		Screw SM15/64"x28 L=9		1	1
43	11312006		切线磁铁支架		Solenoid bracket		1	1
44	N01001		螺母 M4		Nut M4		2	2
45	W01013		GB/T97.1-1985垫圈4.5		Washer		2	2
46	112516006		螺母SM1/4"x40		Nut SM1/4"x40		1	1
47	O01004		O型圈		Rubber ring		1	1
48	1383003300		剪线电磁铁组件		Thread trimmer solenoid asm.		1	1
49	11327003		弹簧		Spring		1	1
50	11312007		松线座		Thread release bed		1	1
51	113520002		螺钉SM1/4"x28		Screw SM1/4"x28		1	1

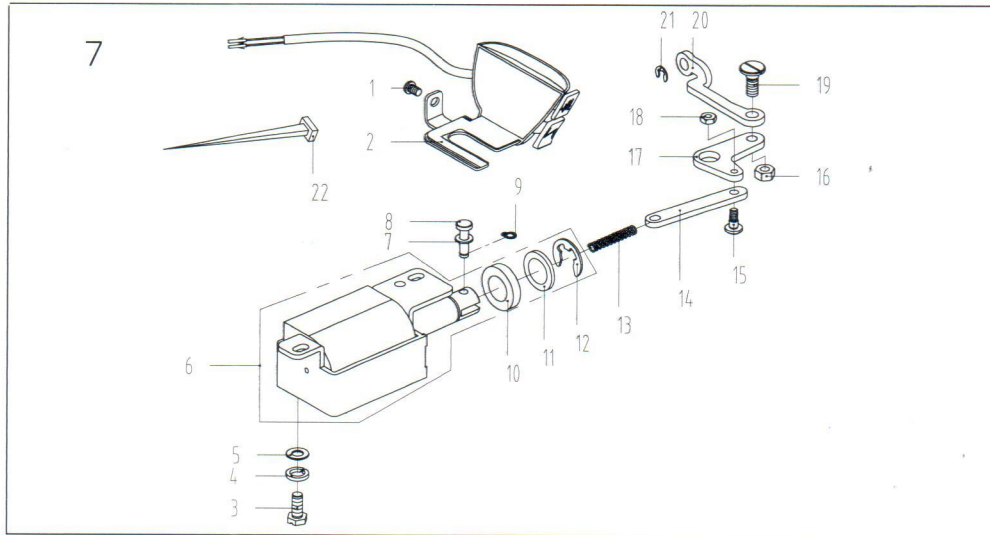
15	11312005	连杆	Connecting rod	1	1
16	114516004	螺母SM11/64"x40	Nut SM11/64"x40	1	1
17	11304001	曲柄	Crank	1	1
18	11322001	驱动曲柄止动块	Crank driver stopper block	1	1
19	S05004	螺钉M5x14	Screw M5x14	1	1
20	11327001	弹簧	Spring	1	1
21	11230004	14孔接线器	Plug	1	1
22	11230005	电线插针	Pin	1	1
23	11303003	切线轴套	Thread cutting shaft bushing	1	1
24	11503005	驱动曲柄轴衬套	Crank drive shaft bushing	1	1
25	113514002	螺钉SM11/64"x40 L=5.5	Screw SM11/64"x40 L=5.5	1	1
26	11322002	扭簧端盖	Spring cover	1	1
27	11327002	弹簧	Spring	1	1
28	11304002	切线凸轮曲柄轴	Crank shaft	1	1
29	116514003	针杆曲柄销定位螺钉SM1/4"x40 L=4.5	Screw SM1/4"x40 L=4.5	1	1
30	116514005	螺钉SM1/4"x40 L=10	Screw SM1/4"x40 L=10	2	2
31	11309030	凸轮顶柱	Push rod	2	2
32	11310004	凸轮	Cam	1	1
	11310011	凸轮 (厚料)	Cam		1
33	11324001	滚柱	Roolling pin	1	1
34	113516002	螺母SM11/64"x40	Nut SM11/64"x40	1	1
35	1130400500	剪线驱动组件	Thread trimmer drive asm.	1	1
36	11302002	轴	Shaft	1	1
37	11322001	驱动曲柄止动块	Positioning block	1	1
38	H05013	GB/T896-1986挡圈	Snap ring	1	1
39	10112003	针杆曲柄护板	Cunter weight protecting	1	1
40	11322003	电磁铁缓冲片	Solenoid cushion rubber	1	1
41	11309001	切线电磁铁顶销	Solenoid pin	1	1
42	101511026	油泵安装螺钉SM15/64"x28 L=9	Screw SM15/64"x28 L=9	1	1
43	11312006	切线磁铁支架	Solenoid bracket	1	1
44	N01001	螺母 M4	Nut M4	2	2
45	W01013	GB/T97.1-1985垫圈4.5	Washer	2	2
46	112516006	螺母SM1/4"x40	Nut SM1/4"x40	1	1
47	O01004	O型圈	Rubber ring	1	1
48	1383003300	剪线电磁铁组件	Thread trimmer solenoid asm.	1	1
49	11327003	弹簧	Spring	1	1
50	11312007	松线座	Thread release bed	1	1
51	113520002	螺钉SM1/4"x28	Screw SM1/4"x28	1	1



7. 自动倒送料开关组件/Automatic Reverse Feed Components

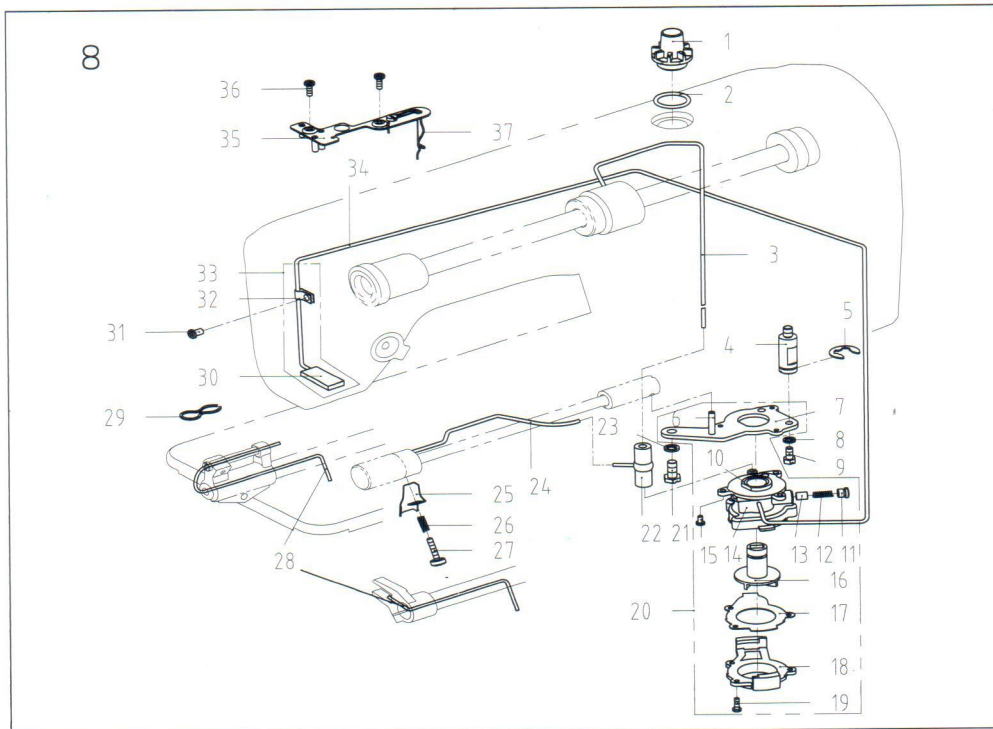
序号NO	公司件号	Part NO.	名称	PartName	零件描述	Description	数量	Number
1	101511004		挑线杆护罩螺钉SM3/16"x28 L=7		Screw SM3/16"x28 L=7		1	1
2	1383003700		双开关组件		Auto reverse feed switch asm		1	1
3	116530003		抬牙叉固定螺钉SM15/64"x28 L=14.5		Screw SM15/64"x28 L=14.5		2	2
4	W02004		GB/T93-1987弹垫M6		washer M6		2	2
5	11628005		抬牙叉固定螺钉垫圈		Washer		2	2
6	1383003400		自动倒送料电磁铁		Auto reverse feed solenoid		1	1
7	W01009		垫圈5		Washer 5		1	1
8	13826004		销子		pin		1	1
9	H03042		挡圈5		Snap ring 5		1	1
10	11322040		橡胶垫片		rubber plunger		1	1
11	11328031		垫片		Washer		1	1
12	H05014		GB/T896-1986开口挡圈		Snap ring		1	1
13	11227006		自动倒送料连杆顶弹簧		Plunger spring		1	1
14	11312009		自动倒送料连杆		Auto reverse feed connecting rod		1	1
15	112520002		曲柄短螺钉SM11/64"x40		Hinge Screw SM11/64"x40		1	1
16	112516007		曲柄长螺母SM1/4"x28		Nut SM1/4"x28		1	1
17	11204003		自动倒送料曲柄		Auto reverse feed crank		1	1
18	112516008		曲柄短螺母SM11/64"x40		Nut SM11/64"x40		1	1
19	112520001		曲柄长螺钉 SM1/4"x28		Hinge Screw SM1/4"x28		1	1
20	11212029		自动倒送料拉杆		Auto reverse feed pull shaft		1	1
21	11329020		开口挡圈5		Snap ring 5		1	1
22	11211005		尼龙扎带		Cable band		4	4

29	11654003	针杆曲柄销定位螺钉SM1/4"x40 L=45	Screw SM1/4"x40 L=45	1	1
30	116514005	螺钉SM1/4"x40 L=10	Screw SM1/4"x40 L=10	2	2
31	11309030	凸轮顶柱	Push rod	2	2
32	11310004	凸轮	Cam	1	1
	11310011	凸轮 (厚料)	Cam		1
33	11324001	滚柱	Rolling pin	1	1
34	113516002	螺母SM11/64"x40	Nut SM11/64"x40	1	1
35	1130400500	剪线驱动组件	Thread trimmer drive asm.	1	1
36	11302002	轴	Shaft	1	1
37	11322001	驱动曲柄止动块	Positioning block	1	1
38	H05013	GB/T896-1986挡圈	Snap ring	1	1
39	10112003	针杆曲柄护板	Counter weight protecting	1	1
40	11322003	电磁铁缓冲片	Solenoid cushion rubber	1	1
41	11309001	切线电磁铁顶销	Solenoid pin	1	1
42	101511026	油泵安装螺钉SM15/64"x28 L=9	Screw SM15/64"x28 L=9	1	1
43	11312006	切线磁铁支架	Solenoid bracket	1	1
44	N01001	螺母 M4	Nut M4	2	2
45	W01013	GB/T97.1-1985垫圈4.5	Washer	2	2
46	112516006	螺母SM1/4"x40	Nut SM1/4"x40	1	1
47	O01004	O型圈	Rubber ring	1	1
48	1383003300	剪线电磁铁组件	Thread trimmer solenoid asm.	1	1
49	11327003	弹簧	Spring	1	1
50	11312007	松线座	Thread release bed	1	1
51	113520002	螺钉SM1/4"x28	Screw SM1/4"x28	1	1



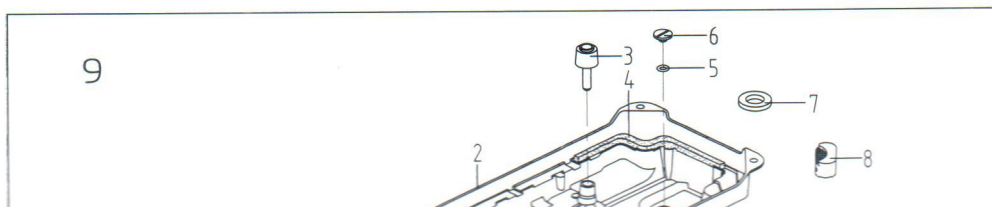
7. 自动倒送料开关组件/Automatic Reverse Feed Components

序号NO.	公司件号	Part NO.	名称	PartName	零件描述	Description	数量	Number
1	101511004		挑线杆护罩螺钉SM3/16"x28 L=7		Screw SM3/16"x28 L=7		1	1
2	1383003700		双开关组件		Auto reverse feed switch asm		1	1
3	116530003		拾牙叉固定螺钉SM15/64"x28 L=14.5		Screw SM15/64"x28 L=14.5	Spring	2	2
4	W02004		GB/T93-1987弹垫M6		washer M6		2	2
5	11628005		拾牙叉固定螺钉垫圈		Washer M6		2	2
6	1383003400		自动倒送料电磁铁		Auto reverse feed solenoid		1	1
7	W01009		垫圈5		Washer 5		1	1
8	13826004		销子		pin		1	1
9	H03042		挡圈5		Snap ring 5		1	1
10	11322040		橡胶垫片		rubber plunger		1	1
11	11328031		垫片		Washer		1	1
12	H05014		GB/T896-1986开口挡圈		Snap ring		1	1
13	11227006		自动倒送料连杆顶弹簧		Plunger spring		1	1
14	11312009		自动倒送料连杆		Auto-reverse feed connecting rod		1	1
15	112520002		曲柄短螺母SM11/64"x40		Hinge Screw SM11/64"x40		1	1
16	112516007		曲柄长螺母SM1/4"x28		Nut SM1/4"x28		1	1
17	11204003		自动倒送料曲柄		Auto reverse feed crank		1	1
18	112516008		曲柄短螺母SM11/64"x40		Nut SM11/64"x40		1	1
19	112520001		曲柄长螺钉 SM1/4"x28		Hinge Screw SM1/4"x28		1	1
20	11212029		自动倒送料拉杆		Auto reverse feed pull shaft		1	1
21	11329020		开口挡圈5		Snap ring 5		1	1
22	11211005		尼龙扎带		Cable band		4	4

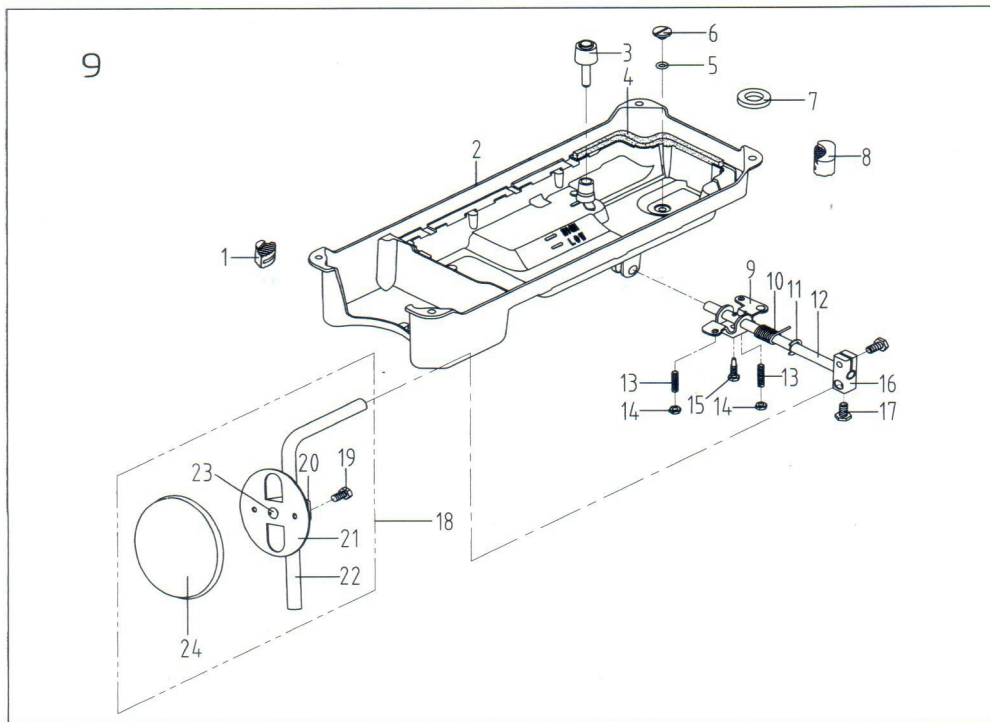


8. 润滑组件/Oil Lubrication Components

序号NO.	公司件号	Part NO.	名称	PartName	零件描述	Description	数量	Number
1	11211004		油窗		Oil sight window		1	1
2	10122019		油窗O形圈		Rubber ring		1	1
3	13821008		上轴供油管		Main shaft oil tube		1	1
4	112530005		油泵连接螺栓		Oil pump connecting stud		1	1
5	11329010		开口挡圈10		Snap ring 10		1	1
6	10121001		下轴供油管		Hook driving shaft oil tube		1	1
7	10112020		油泵安装板		Oil pump installing base		1	1
8	W03002		弹垫		Spring washer		1	1
9	209512001		压脚螺钉SM11/64 * x40 L=10.5		Screw SM11/64 * x40 L=10.5		1	1
10	10103022		油泵体衬套		Oil pump bushing		1	1
11	101530007		柱塞螺钉		Plunger Screw		1	1
12	10127013		柱塞簧		Plunger spring		1	1
13	10122018		回油柱塞		Plunger		1	1
14	10120001		油泵体		Oil pump		1	1
15	S04009		油泵螺钉		Screw		3	3
16	10111003		油泵叶轮		Oil pump impeller		1	1
17	10112021		油泵叶轮托板		Oil pump impeller cover		1	1
18	10111007		油泵盖		Lubricating oil pump cover		1	1
19	101530006		螺钉		Screw		3	3
20	1012000100		油泵分部件		Lubricating oil pump component		1	1
21	116530003		拾牙叉固定螺钉SM15/64 * x28 L=14.5		Screw SM15/64 * x28 L=14.5		1	1
22	10136001		供油管接头		Rubber joint		1	1
23	W02004		GB/T193-1987弹垫M6		Spring Washer M6		1	1
24	11321002		供油管		Hook oil tube		1	1
25	11312031		挡油罩		Oil shield cover		1	1
26	11327004		油量调节螺钉弹簧		Spring		1	1
27	113530001		油量调节螺钉		Screw		1	1
28	104230005		油线		Oil wick		1	1
29	10127015		回油毡夹		Oil felt clamp		1	1
30	101230006		回油毡		Oil felt felt		1	1
31	101511004		挑线杆护罩螺钉SM3/16"x28 L=7		Screw SM3/16"x28 L=7		1	1
32	10112023		回油管夹		Oil tube clamp		1	1
33	10121007		回油管部件		Oil return tube component		1	1
34	10121008		回油管		Oil return tube		1	1
35	10112025		油线固定板		Oil wick fixing plate		1	1
36	101511010		压脚扳手螺钉SM9/64"x40 L=11		Screw SM9/64"x40 L=11		2	2
37	10123010		油线		Oil wick		1	1



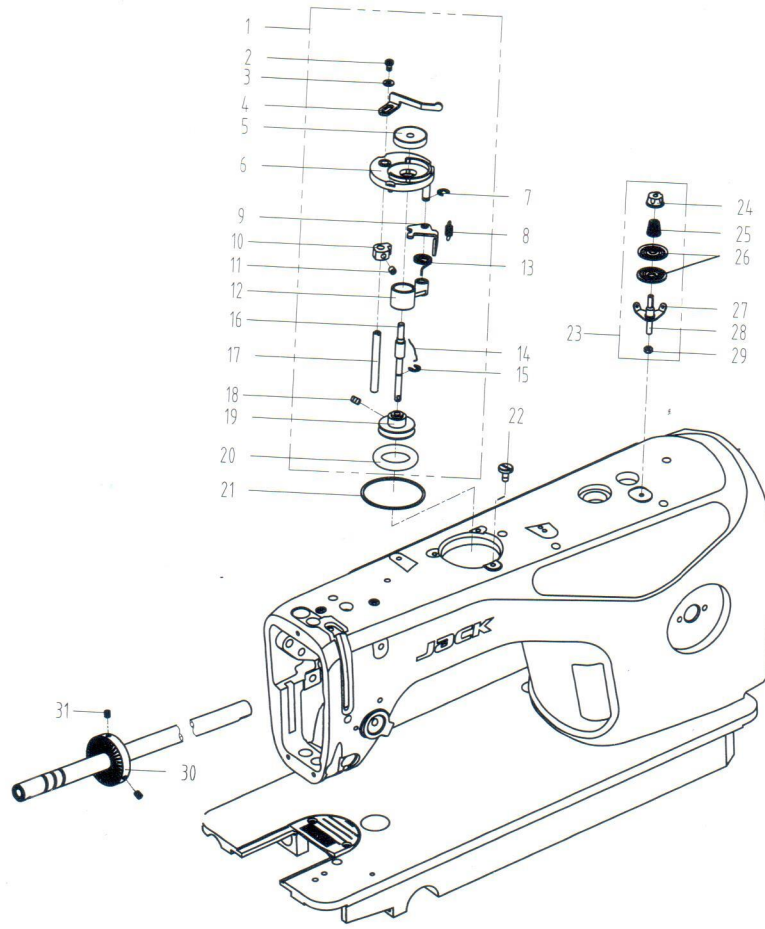
16	1011003	油泵叶轮	Oil pump impeller	1	1
17	1012021	油泵叶轮托板	Oil pump impeller cover	1	1
18	1011007	油泵盖	Lubricating oil pump cover	1	1
19	101530006	螺钉	Screw	3	3
20	1012000100	油泵分部件	Lubricating oil pump component	1	1
21	116530003	拾牙叉固定螺钉SM15/64 " x28 L=14.5	Screw SM15/64 " x28 L=14.5	1	1
22	10136001	供油管接头	Rubber joint	1	1
23	W02004	GB/T93-1987弹垫M6	Spring Washer M6	1	1
24	11321002	供油管	Hook oil tube	1	1
25	11312031	挡油罩	Oil shield cover	1	1
26	11327004	油量调节螺钉弹簧	Spring	1	1
27	113530001	油量调节螺钉	Screw	1	1
28	10423005	油线	Oil wick	1	1
29	10127015	回油毡夹	Oil felt clamp	1	1
30	10123006	回油毡	Oil felt felt	1	1
31	101511004	挑线杆护罩螺钉SM3/16"x28 L=7	Screw SM3/16"x28 L=7	1	1
32	10112023	回油管夹	Oil tube clamp	1	1
33	10121007	回油管部件	Oil return tube component	1	1
34	10121008	回油管	Oil return tube	1	1
35	10112025	油线固定板	Oil wick fixing plate	1	1
36	101511010	压脚板手螺钉SM9/64"x40 L=11	Screw SM9/64"x40 L=11	2	2
37	10123010	油线	Oil wick	1	1



9. 油盘、膝抬压脚分组件/Oil Ceservoir,Knee Lifter Components

序号NO.	公司件号	Part NO.	名称	PartName	零件描述	Description	数量	Number
1	10122022		油盘座垫		Oil reservoir rubber cushion		2	2
2	13801020		油盘		Oil Reservoir		1	1
3	10111005		抬压脚顶杆		Knee lifter push rod		1	1
4	10122020		油盘垫		Oil Reservoir gasket		1	1
5	10122021		O形圈		Rubber ring		1	1
6	101511028		排油孔螺钉SM5/16"x24 L=7		Screw SM5/16"x24 L=7		1	1
7	10131001		油盘磁铁		Oil reservoir magnet		1	1
8	10122023		油盘支架		Oil reservoir rubber cushion		2	2
9	10112027		抬压脚双向曲柄		Knee lifter crank		1	1
10	10127016		双向曲柄扭簧		Knee lifter spring		1	1
11	H05010		GB/T896-1986挡圈10		Snap ring 10		1	1
12	10102011		抬压脚轴		Knee lifter shaft		1	1
13	101515012		双向曲柄限位调节螺钉M6 L=30		Screw M6 L=30		2	2
14	101516004		双向曲柄限位调节螺母 M6 L=4		Nut M6 L=4		2	2
15	101512002		双向曲柄螺钉M6 L=26		Screw M6 L=26		1	1
16	10101008		抬压脚操纵杆节头		Bearing bracket		1	1
17	101512003		操纵杆节头螺钉M8 L=16		Screw M8 L=16		2	2
18	1011202800		操纵杆组件		Knee press plate asm		1	1
19	101512004		节头螺钉M6 L=11		Screw M6 L=11		1	1
20	10112030		操纵杆节头		Knee press plate holder		1	1
21	10112029		操纵板		Knee press plate		1	1
22	10112028		操纵杆		Knee lifter plate rod		1	1
23	10122025		操纵杆垫		Rubber		1	1
24	10122024		操纵板软垫		Knee press plate cover		1	1

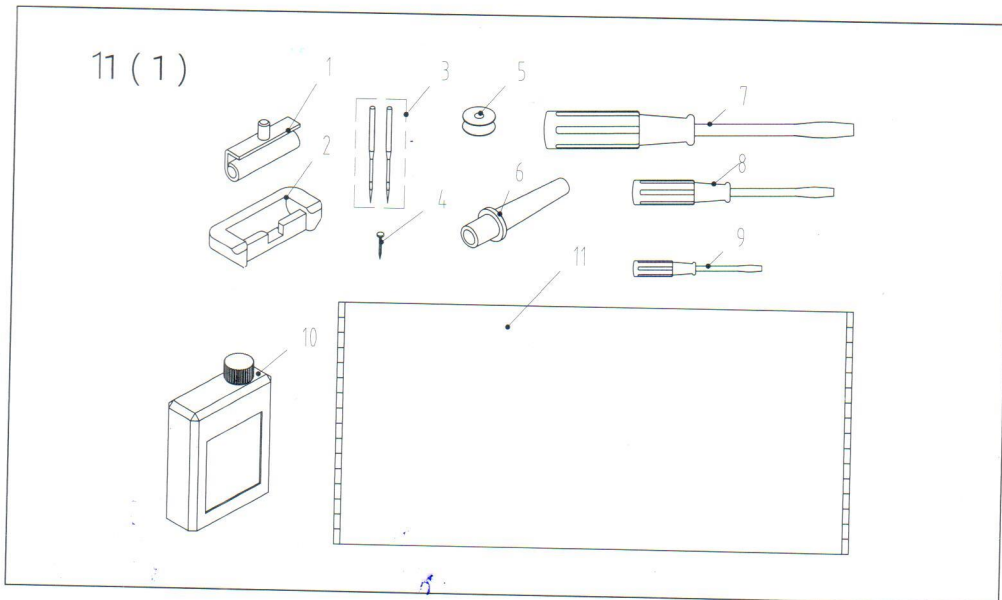
10



10. 绕线器组件/ Bobbin Components

序号NO.	公司件号	Part NO.	名称	PartName	零件描述	Description	数量	Number
1	1383103900		绕线器组件		Bobbin winder asm.		1	1
2	114511008		螺钉M4x6		Screw M4x6		1	1
3	GB/T97.1		垫圈4		Washer		1	1
4	10113030		压线控制板		Thread press control plate		1	1
5	10111120		绕线衬垫		Winding pad		1	1
6	13831101		绕线器装置主座		Bobbin winder bed		1	1
7	GB/T 896-1986		开口挡圈5		Snap ring		1	1
8	10127061		复位板拉簧		Spring		1	1
9	13812110		调节板		Regulating plate		1	1
10	10110030		绕线凸轮		Bobbin winder cam		1	1
11	S09042		螺钉		Screw		1	1
12	1380510600		绕线器连杆组件		Bobbin winder connecting rod		1	1
13	13827103		满线复位簧		spring		1	1
14	10127060		弹簧		Spring		1	1
15	GB/T 896-1986		开口挡圈4		Snap ring		1	1
16	13802111		绕线器主轴		Bobbin winder main shaft		1	1
17	13802026		绕线凸轮轴		Bobbin winder cam shaft		1	1
18	S09103		绕线轮螺钉		Screw		1	1
19	13831102		绕线轮		Bobbin winder wheel		2	2
20	001110		O型圈		Ring		1	1
21	11422062		密封垫		Washer		1	1
22	114511003		螺钉SM3/16*×28 L=10		Screw SM3/16*×28 L=10		1	1
23	1381300600		底线夹线器		Bobbin thread tension asm.		3	3
24	13811004		夹线螺母		Thread tension nut		1	1
25	11427006		小夹线弹簧		Spring		1	1
26	10112005		夹线板		Thread tension disk		1	1
27	11413022		夹线过线板		Thread tension guide plate		2	2
28	112513004		夹线螺钉		Screw		1	1
29	114516001		螺母SM11/64*×40		Nut SM11/64*×40		1	1
30	11435013		绕线器驱动轮		Driving wheel		1	1
31	S10009		螺钉M6×8		Screw M6×8		2	2

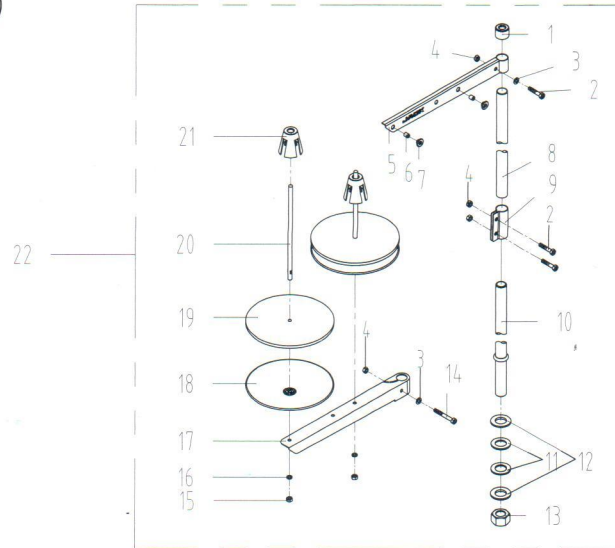
序号	公司件号	Part NO.	名称	PartName	零件描述	Description	数量	Number
1	1383103900		绕线器组件		Bobbin winder asm.		1	1
2	114511008		螺钉M4x6		Screw M4x6		1	1
3	GB/T97.1		垫圈4		Washer		1	1
4	10113030		压线控制板		Thread press control plate		1	1
5	10111120		绕线衬垫		Winding pad		1	1
6	13831101		绕线器装置主座		Bobbin winder bed		1	1
7	GB/T 896-1986		开口挡圈5		Snap ring		1	1
8	10127061		复位板拉簧		Spring		1	1
9	13812110		调节板		Regulating plate		1	1
10	10110030		绕线凸轮		Bobbin winder cam		1	1
11	S09042		螺钉		Screw		1	1
12	1380510600		绕线器连杆组件		Bobbin winder connecting rod		1	1
13	13827103		满线复位簧		spring		1	1
14	10127060		弹簧		Spring		1	1
15	GB/T 896-1986		开口挡圈4		Snap ring		1	1
16	13802111		绕线器主轴		Bobbin winder main shaft		1	1
17	13802026		绕线凸轮轴		Bobbin winder cam shaft		1	1
18	S09103		绕线轮螺钉		Screw		2	2
19	13831102		绕线轮		Bobbin winder wheel		1	1
20	001110		O型圈		Ring		1	1
21	11422062		密封垫		Washer		1	1
22	114511003		螺钉SM3/16"x28 L=10		Screw SM3/16"x28 L=10		3	3
23	1381300600		底线夹线器		Bobbin thread tension asm.		1	1
24	13811004		夹线螺母		Thread tension nut		1	1
25	11427006		小夹线弹簧		Spring		1	1
26	10112005		夹线板		Thread tension disk		1	1
27	11413022		夹线过线板		Thread tension guide plate		2	2
28	112513004		夹线螺钉		Screw		1	1
29	114516001		螺母SM11/64"x40		Nut SM11/64"x40		1	1
30	11435013		绕线器驱动轮		Driving wheel		1	1
31	S10009		螺钉M6x8		Screw M6x8		2	2



11. 机头附件(1)/Machine Head Accessories(1)

序号NO.	公司件号	Part NO.	名称	PartName	零件描述	Description	数量	Number
1	1011203100		机头连接钩部件		Hinge component		2	2
2	10122060		机头连接钩座		Head connecting rubber cushion		2	2
3	10117021		机针 (14#)		Needle		4	4
	10117022		机针DPx5#21 (厚料)		Needle			
4	101530010		机头连接钩座钉		Nail		4	4
5	10118003		梭心		Bobbin		2	2
6	10111011		机头支柱		Machine head rest pin		1	1
7	20731047		螺丝刀 (大)		Screw driver,large		1	1
8	10131003		螺丝刀 (中)		Screw driver,medium		1	1
9	10131004		螺丝刀 (小)		Screw driver,small		1	1
10	1011101200		油箱部件		Oiler component		1	1
11	13831018		防尘罩		Dust cover		1	1

11 (2)



11. 机头附件(2)-线架组件/Machine Head Accessories(2)-Thread Stand Components

序号NO.	公司件号	Part NO.	名称	PartName	零件描述	Description	数量	Number
1	20131019		线架杆顶防护橡皮		Spool rest rod rubber cap		1	1
2	S04050		螺钉M5 L=16		Screw M5 L=16		3	3
3	W01047		垫圈M5		Washer M5		2	2
4	N01034		螺母M5		Nut M5		4	4
5	13831022		上线架过线杆		Spool rest arm upper		1	1
6	10113011		过线圈(内)		Thread guide ring		2	2
7	10113010		过线圈(外)		Thread guide ring		2	2
8	13831019		线架杆上节		Spool rest rod upper		1	1
9	13831021		线架杆接头		Spool rest rod joint		1	1
10	13831020		线架杆下节		Spool rest rod lower		1	1
11	10122106		橡胶垫圈		Spool rest rod rubber ring		2	2
12	W01048		垫圈M16		Washer M16		2	2
13	N02004		螺母 M16		Spool rest rod nut M16		1	1
14	S04051		螺钉 M5		Spool rest arm lower screw M5		1	1
15	N01034		螺母 M5		Nut M5		2	2
16	W02027		弹簧垫圈 M5		Spring washer M5		2	2
17	13831023		下线架过线杆		Spool rest arm lower		1	1
18	13831024		线盘		Spool rest		2	2
19	20131010		线盘垫		Spool rest cushion		2	2
20	20131006		线盘钉		Spool pin		2	2
21	13831025		线团防松垫		Spool retainer		2	2
22	1383100300		线架组件		Thread stand asm.		1	1